



Technical Specifications

MOBOTIX MOVE 12MP Vandal Hemispheric Analytics Indoor Camera

This high-performance 12MP indoor camera with Edge and backend dewarping delivers a 360-degree view of the entire surveillance area. Thanks to its integrated IR illumination and advanced exposure control, darkness poses no problem to this camera, which also offers eight embedded video analysis functions. DNN (Deep Neural Network) support for intrusion detection, loitering detection, object counting, face and license plate recognition. Easy installation and ready-to-go straight out of the box.

- Edge Dewarping and Backend Dewarping
- IR LED (true day/night function, up to 15 m/49 ft)
- Vandal-Proof IK10 (indoor)
- Sony Progressive Scan CMOS
- Image Sensor Resolution up to 12MP
- Multi Codec support (H.265/H.264/MJPEG)
- Multiple Dewarp Display Modes Digital PTZ/Panorama View/Quad View
- True Day/Night function (ICR)
- 3D Motion Compensated Noise Reduction
- ONVIF Profile S/G/T/M support
- Smart Event Functions: External Input/Manual Trigger, Motion Detection/Periodical Event, Network Failure Detection/Audio Detection
- Micro SD/SDHC/SDXC Card support up to 1 TB
- Enhanced Video Analytics Package (abandoned objects/sabotage/wrong direction/object count and removal)



BeyondHumanVision

MOBOTIX MOVE

Technical Specifications

MOBOTIX MOVE 12MP Vandal Hemispheric Analytics Indoor Camera

High-Quality DNN Edge Video Analytics

Counting	Intrusion	Removed Objects	Sabotage	Face Recognition
				
Abandoned Objects	Stopped Vehicle	Wrong Direction	Loitering	ALPR
				

The latest computer vision technology makes the DNN-accelerated video processing engine efficient at the edge. This integrated engine provides high accuracy, and 10 (DNN-based) video analytics functions including ALPR and human face recognition. Moreover, it allows simultaneous detection on multiple objects.

Product Information

Product Name	12MP Vandal Hemispheric Analytics Indoor Camera
Order Code	Mx-VH1A-12-IR-VA

Hardware Design

Processor	Ambarella CV22 (Quad-core ARM® Cortex®-A53, 1 GHz)
Memory	RAM: 512 MBytes FLASH: 256 MBytes
Image Sensor	12MP, 1/1.7" Progressive CMOS IMX226 (SONY STARVIS)
Effective (Used) Pixels	4000x3000 (12MP)

Image Quality

Frame Rate (maximum)	<p>H.265/H.264</p> <ul style="list-style-type: none"> ▪ Single-stream, Backend (software) dewarping: <ul style="list-style-type: none"> ▪ 12MP@20 fps ▪ 2992x2992@30 fps ▪ Single-stream, Edge (camera) dewarping: <ul style="list-style-type: none"> ▪ 8.9MP@27 fps ▪ 2048x2048@30 fps <p>MJPEG</p> <ul style="list-style-type: none"> ▪ Backend (software) dewarping: <ul style="list-style-type: none"> ▪ 1920x1080@60 fps ▪ Edge (camera) dewarping: <ul style="list-style-type: none"> ▪ 1920x1080@30 fps
-------------------------	--

Lens

Minimum Illumination	Color: 0.1 lux B/W: 0.01 lux
Lens Characteristics	Type: 1/1.7" Hemispheric Lens Focal Length: 1.65 mm Aperture: F2.8 Horizontal Field of View: 190° Vertical Field of View: 190°

Camera

Day and Night	Automatic mechanically switchable IR-cut filter
Shutter Speed	1 – 1/24767 sec.
Auto Gain	Min. gain: 3 dB, max. gain: 45 dB, step size: 3
Zoom	Digital zoom
Image Settings	Backlight Compensation, White Balance, Noise Reduction, Wide Dynamic Range, Privacy Mask, Brightness, Exposure, Sharpness, Contrast, Saturation,

Technical Specifications

MOBOTIX MOVE 12MP Vandal Hemispheric Analytics Indoor Camera

	Hue, Digital Zoom, Privacy Mask Type, ICR, IR Threshold
Rotation Mode	180° rotation

Video Codec

Compression	H.265/MJPEG/H.264 (MPEG-4 Part 10/AVC) Baseline/Main Profile/High Profile
Streaming	Up to 4 individually configurable streams in H.264/H.265/MJPEG; configurable resolution, frame rate, bandwidth LBR/VBR/CBR in H.265/H.264.

Audio Codec

Compression	G.711/G.726/AAC/LPCM
Streaming	2 way
Audio Input	Microphone built-in
Audio Output	Speaker built-in

Cyber Security Features

Password Protection	Yes (including “forced” password change during initial setup)
IP address filtering	Yes (to restrict unauthorized access based on IP addresses)
IEEE 802.1X network access control	Yes (for advanced network security and authentication)
Digest authentication	Yes (for secure user authentication)
Secure Boot	Yes (support of fixed IP setting and automatic DHCP IP configuration according to individual MAC address)
AES encryption for password protection	Yes (to ensure strong encryption for password storage)
HTTPS/SSL (using TLS)	Yes (TLS 1.2 default, TLS 1.0/1.1 optional selectable)
User and Group Management	Yes (for fine-grained access control)
VPN	Yes (to establish secure network connections)

MOBOTIX MOVE 12MP Vandal Hemispheric Analytics Indoor Camera

Digitally signed firmware	Yes (to prevent firmware file tampering)
RSA encryption	Yes (to support stronger ciphers; supported: RSA (2048 bits), AES-128, AES-256, SHA-256, SHA-384)

Network

Interface	RJ45, 1 Gbps Ethernet
Supported Protocols	ARP, IPv4/v6, TCP/IP, UDP, RTP, RTSP, HTTP, HTTPS, ICMP, FTP, SMTP, DHCP, PPPoE, UPnP, IGMP, SNMP, QoS, ONVIF
ONVIF	Supports profiles S/G/T/M

System Integration

Base Video Analytics	<ul style="list-style-type: none"> ▪ Motion Detection ▪ Tampering ▪ Audio Detection
Enhanced Video Analytics (embedded)	<ul style="list-style-type: none"> ▪ Abandoned objects ▪ Intrusion (object classification) ▪ Sabotage ▪ Wrong direction ▪ Loitering (object classification) ▪ Object counting (object classification) ▪ Object removal ▪ Stopped vehicle (object classification) <p>2 analytics functions can be activated simultaneously</p>

Technical Specifications

MOBOTIX MOVE 12MP Vandal Hemispheric Analytics Indoor Camera

Event Triggers

- External input
- Analytics
- Network failure detection
- Periodical event
- Manual trigger

Event Actions

- External output activation
 - Video and audio recording to edge storage
 - File upload: FTP, network share and email
 - Notification: HTTP, FTP, email
-

General

Housing Materials

Metal and Plastic

Housing Color

RAL 9003

Power Requirements

PoE IEEE802.3af, class 0, max 12.95 W

PoE Modes Supported

Mode A or Mode B

Connectors

RJ45
Alarm in x1, Alarm out x1, Terminal Block
Audio in Terminal Block
Audio out Terminal Block

Storage

Micro SD/SDHC/SDXC card support up to 1 TB,
Support for recording to NAS, MOBOTIX MOVE NVR

IR Illumination

850 nm; up to 15 m/49 ft distance depending on reflection of scenery

Operating Temperature

-10 to 55 °C/14 °F to 131 °F

Relative Humidity

90 % non-condensing

Storage Conditions

-20 to 70 °C/-4 to 158 °F

Approvals

EMC, Safety, Environment, CE/FCC, RoHS, IK10

MTBF

95,000 hours

Warranty

5 years

MOBOTIX MOVE 12MP Vandal Hemispheric Analytics Indoor Camera

Dimensions Ø 130x57.8 mm

Weight 565 g

NOTE! Observe the [MOBOTIX MOVE Installation Hints](#) document to ensure optimum performance of the camera features.

DORI Specifications

In the video surveillance context, “DORI” stands for Detection, Observation, Recognition and Identification and is based on IEC EN62676-4: 2015. These levels define the minimum pixels that a face of a person must have to provide proper identification, for example.

- **Detection:** Up to this distance, you can reliably determine if a person or vehicle is present.
- **Observation:** Up to this distance, you can see characteristic details of an individual, such as distinctive clothing.
- **Recognition:** Up to this distance, you can determine with a high degree of certainty whether an individual is the same as someone that has been seen before.
- **Identification:** Up to this distance, you can determine the identity of an individual beyond reasonable doubt.

DORI Level	Detection	Observation	Recognition	Identification
Mx-VH1A-12-IR-VA	Front End: 36 m/ 118 ft	Front End: 14 m/ 46 ft	Front End: 7 m/ 23 ft	Front End: 3 m/ 10 ft
	Back End: 36 m/ 118 ft	Back End: 14 m/ 46 ft	Back End: 7 m/ 23 ft	Back End: 4 m/ 13 ft

Dimensions

NOTE! Download the drilling template from the section or on the MOBOTIX website: www.mobotix.com > Support > Download Center > Marketing & Documentation > Drilling Templates.

CAUTION! Always print or copy the drilling template at 100% of the original size!

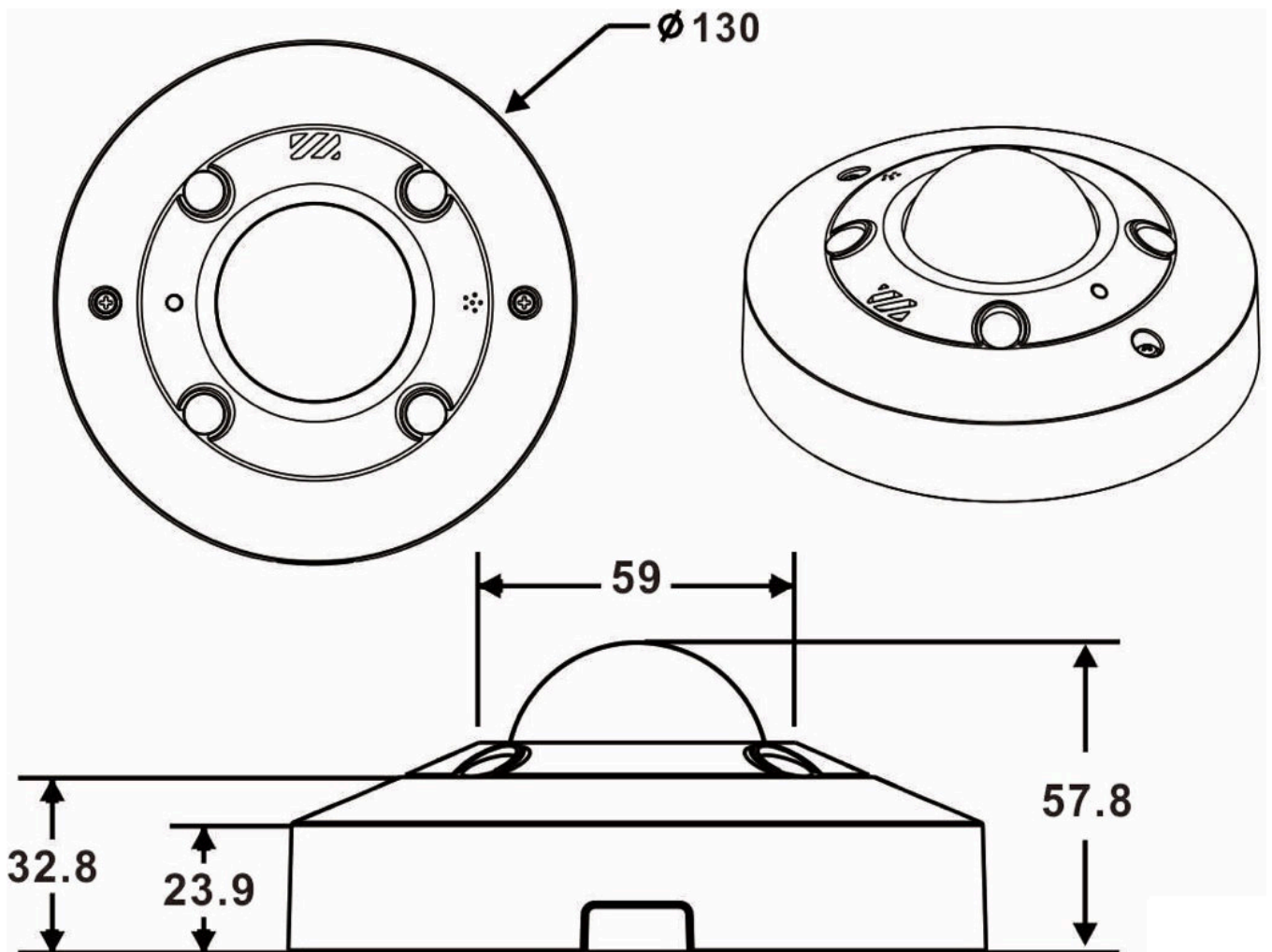


Fig. 1: Mx-VH1A-12-IR-VA: All measurements in mm

Accessories for All Cameras

Picture/ Order Code	Description	Compatible Products	Material/ Color	Weight
 <p data-bbox="169 1070 440 1097">MX-NPA-UPOE1A-60W</p>	<p data-bbox="533 517 911 1283">UPoE Power Injector 60W. PoE++ 60W Network Power injector • AC Input Voltage: 100 to 240 VAC (50 to 60Hz) • AC Input Current: 1.5A @100-240 VAC • Operating Ambient Temperature: • -10° to 40°C @60W • -10° to 50°C, humidity 10 to 90% @30W • IEEE 802.3bt compliant • Output power of 60W over 4-pairs • Supports 10/100/1000Base-T applications • Plug-and-play installation • Full Protection OVP, OCP• Supports 10/100/1000Base-T applications.</p>	All cameras.	Plastic hous- ing, black	0.45 kg
 <p data-bbox="169 1731 440 1758">Mx-A-ETP1A-2601-SET</p>	<p data-bbox="533 1328 911 1948">Media converter set Ethernet (PoE+) – Twisted-Pair. Complete set consisting of two two-wire transmit/receive units for establishing an Ethernet transmission path via twisted-pair cables. • Transmission of Ethernet and PoE+ power supply via two-wire line according to IEEE1901. • Simple connection of 10/100 Mbps Ethernet end devices • Max. 95 Mbps transmission bandwidth, range up to</p>	All cameras. Requires Mx-A-ETP1A-2601-POW.	Plastic hous- ing, black	0.368 kg

MOBOTIX MOVE 12MP Vandal Hemispheric Analytics Indoor Camera


Picture/ Order Code	Description	Compatible Products	Material/ Color	Weight
	<p>600 m/656 yd for data only, 300 m/328 yd for PoE depend- ing on the quality of the twis- ted-pair link • 128 bit AES network data encryption • Power supply 2-wire trans- mitter (Tx) and receiver (Rx) as well as end device via PoE+ network switch or external power supply 56VDC / 1.2A (not included!) • Connected end devices are supplied via PoE switch IEEE802.3af(PoE), IEEE802.3at (PoE+), UPoE up to 60W (requires ext. power supply unit). • Status LEDs (data, power supply, data link, PoE) • Integrated Over- voltage protection (IEC 61000- 4-5 4kV(1.2 / 50us), 2kA(8 / 20us)) • Power Supply: TX: T- Linx or DC12V~57V, RX: PoE Switch or DC48V~57V • Oper- ational temperature: -20 to 60°C • Dimensions: 80.4(L) x 61.6(W) x 24(H)mm • Weight: RX/TX: 102g • Warranty: 2 years</p>			

Technical Specifications

MOBOTIX MOVE 12MP Vandal Hemispheric Analytics Indoor Camera

Picture/ Order Code	Description	Compatible Products	Material/ Color	Weight
 <p data-bbox="161 815 448 837">Mx-A-ETP1A-2601-POW</p>	<p data-bbox="533 360 874 439">Plug-type power supply for Mx-A-ETP1A-2601-SET.</p> <p data-bbox="533 461 906 629">Output: 57V DC +/-3% / 1.2 A • Input: 90-260V AC (47-63Hz) • 68,4 Watt • Operating Temperature: 0-40°C/32-122°F</p>	<p data-bbox="932 360 1086 439">Mx-A-ETP1A-2601-SET</p>	<p data-bbox="1150 360 1278 439">Plastic housing, black</p>	<p data-bbox="1321 360 1410 394">0.49 kg</p>
 <p data-bbox="169 1211 440 1234">Mx-A-KBD1A-PTZ-JOG</p>	<p data-bbox="533 875 900 954">MOBOTIX USB Keyboard with PTZ Joystick & Jog-Shuttle.</p> <p data-bbox="533 976 916 1872">USB control panel for operating MOBOTIX MxMC 2.6 and higher and MOBOTIX HUB incl. Control of software PTZ and motorized PTZ cameras and pan/tilt devices • Integrated 3-axis joystick • Integrated jog shuttle • 38 control keys with backlight predefined for MxMC functions or freely definable for MOBOTIX HUB • Integrated alarm buzzer • Suitable for operation as HID device on MOBOTIX VMS with Windows and MAC based operating systems via USB 2.0 • Suitable for right- and left-handed users • Power supply: USB, max. 350 mA • Operating temperature: 0°-45°C/32-113 °F.</p>	<p data-bbox="932 875 1078 909">All cameras.</p> <p data-bbox="932 931 1126 1133">Requires Windows or macOS computer with USB 2.0 or better.</p>	<p data-bbox="1150 875 1278 954">Plastic housing, black</p>	<p data-bbox="1321 875 1410 909">1.9 kg</p>

MOBOTIX MOVE 12MP Vandal Hemispheric Analytics Indoor Camera

Picture/ Order Code	Description	Compatible Products	Material/ Color	Weight
	<p>MOBOTIX network switch for DIN (top-hat) rail mounting. 5x RJ45 port with 100 MBit/s (1x uplink, 4x PoE+ with max. 75 W). Supply: 48 V DC, max. 75 W. Simplified cabling for door stations due to available connectivity for anti-theft protection, door opener and MxBus. MxBus, anti-theft protection, door and lock contact can be connected via separate wires of Ethernet cable.</p>	<p>All cameras.</p>	<p>Plastic housing, gray</p>	<p>0.31 kg</p>
<p>MX-SWITCH1</p>				

Further Reading

[Manuals and Quick Installation documents](#)



[Technical Specifications](#)



[MOBOTIX MOVE Installation Hints](#)



[MOBOTIX Community](#)



MOBOTIX

BeyondHumanVision

[EN_04/25](#)

MOBOTIX AG • Kaiserstrasse • D-67722 Langmeil • Tel.: +49 6302 9816-103 • sales@mobotix.com • www.mobotix.com

MOBOTIX is a trademark of MOBOTIX AG registered in the European Union, the U.S.A., and in other countries. Subject to change without notice. MOBOTIX do not assume any liability for technical or editorial errors or omissions contained herein. All rights reserved. © MOBOTIX AG 2020