



\*Variant Mx-M26B supports MOBOTIX MxBus modules



Standard Delivery M26



Item	Count	Part Name
1.1	1	Camera in weatherproof housing, incl. VarioFlex wall mount
1.2	1	Ceiling mount* *Only in delivery if included in initial order!
1.3	1	Sealing for wall and ceiling mount
1.4	1	Lens, installed (standard M14 or B016)
1.5	2	Lens cover, 1 installed, 1 replacement (not available for lens B016, cover for B500 not shown, no replacement cover for B500)
1.6	1	Lens wrench B016 (only for D016/N016)
1.7	2	Allen wrench 5 mm, Allen wrench 2.5 mm
1.8	1	Special Ethernet cable 0.5 m/20", installed
1.9	4	Screw caps for stainless steel fastening screws
1.10	4	Stainless steel wood screws 6x50 mm
1.11	4	Stainless steel washers 6.4 mm dia.
1.12	4	Dowel S8
1.13	2	Cable lock with bayonet catch (Ethernet patch cable, Mini-USB)
1.14	1	MicroSD card installed
1.15	1	MiniUSB plug

Connection and Initial Operation of the M26

For information on connecting the M26, please see the M26 Camera Manual, section «Network and Power Connection, Additional Cables» (PDF, available on [www.mobotix.com](http://www.mobotix.com) > Support > Download Center > Documentation > Manuals).

Please note that the boot options of this camera have changed compared to its predecessor (see «Boot Options of the M26» on page 2) and the camera only has one key. Regarding the rest of the initial operation of the M26 please see the M26 Camera Manual in Chapter 3, «Initial Operation»



Mounting Options of the M26

1. Mounting to a Wall

When installing the M26 on a wall, for example, simply affix the pre-installed and VarioFlex wall mount included in the delivery with the four supplied screws and washers.

The camera can be turned or tilted 180° horizontally and 110° vertically (from -90° to +20°).

2. Mounting to a Ceiling

By exchanging the wall mount for the ceiling mount\*, the M26 is ready to be mounted to ceilings in just a few easy steps thanks to the VarioFlex system.

The camera can be turned or tilted 360° horizontally and 110° vertically (from -90° to +20°).

\*Only in delivery if included in initial order!

3. Mounting to Poles (With Accessories)

If you want to mount the camera to a pole with a diameter from 60 to 180 mm, you should consider using the Pole Mount (MX-MH-SecureFlex-ESWS) made from white powder-coated stainless steel.

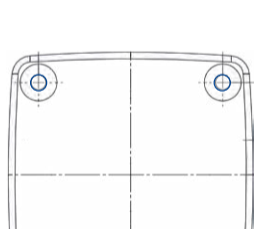
Just like when mounting to a wall, the camera can be turned 180° horizontally and tilted 110° vertically (from -90° to +20°).



Installing the M26

1. Drill the holes for the dowels (if required)

Use the drilling template for this step (see below). Mark the holes for the dowels or screws (blue circles in figure). If required, drill the holes for the dowels, push them in and cut the cut-out for the cables. Guide the Ethernet cable and any other cables that are to be connected through the cut-out.



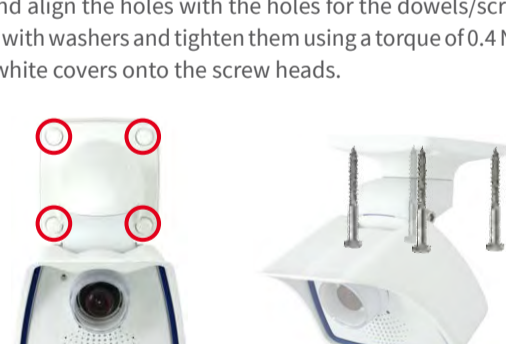
2. Connect the cables

If you want to connect additional cables (USB, MxBus), remove the weatherproof housing as shown in Section «Removing/Installing the Weatherproof Housing», connect the cabling as required and again install the housing. Plug the pre-installed Ethernet cable into a network cable (e.g., of an MX-Overvoltage-Protection-Box).



3. Install the camera

Press the wall/ceiling mount and the wall sealing against the mounting position and align the holes with the holes for the dowels/screws. Insert the screws with washers and tighten them using a torque of 0.4 Nm. Finally, press the white covers onto the screw heads.



Removing/Installing the Weatherproof Housing

For certain tasks (e.g., connecting additional wires, exchanging the SD card), you need to remove the weatherproof housing and install it again once you are finished.

1. Remove the fastening screws at the back

Start by removing the two rubber plugs that protect the fastening screws. Next, unscrew the two fastening screws of the weatherproof housing using the supplied Allen wrench 5 mm (item 1.7), but do not remove the screws



2. Remove camera from weatherproof housing

Press the camera from the housing by gently applying pressure on the screws in alternating fashion from the rear using the long shank of the Allen wrench. Unscrew the fastening screws once the camera is free from the housing



3. Complete the tasks

Follow the procedures for the work inside the housing as described in the M26 Camera Manual in Chapter 2, «Installation» (e.g., connecting additional wires, exchanging the SD card).



4. Insert the camera into the weatherproof housing

Start by inserting the camera into the weatherproof housing. Press the camera back into the housing and take care not to squeeze and damage any wires inside the housing.



5. Tighten the retaining screws

Affix the camera in the weatherproof housing using the two retaining screws. Finally, push in the two rubber plugs that protect the retaining screws.



Inserting/Exchanging the SD Card

All camera models can use the integrated MicroSD card (SDHC) to record video data. In order to exchange the MicroSD card, please proceed as outlined in the following instruction. For information on reliable SD cards, please see the MOBOTIX website [www.mobotix.com](http://www.mobotix.com) > Support > Download Center > Documentation > White Lists in the document MicroSD Card Whitelist for MOBOTIX Cameras.

When replacing the SD card, make sure that recording has been deactivated in the browser (Admin Menu > Storage > Storage on External File Server / Flash Device; activate recording again in the same dialog after exchanging the card).

1. Remove the SD Card

Open the camera (see «Removing/Installing the Weatherproof Housing»), remove all connectors in the cover of the inner housing, then remove the cover. Remove the four screws from the back plate and lift off the back plate. Gently push on the MicroSD card in the card slot of the camera. The card is released from the slot and can be removed from the camera.



2. Insert the SD Card

Push the MicroSD card into the card slot as shown, until an audible and perceptible click indicates it is in place. Replace the back plate of the camera housing.



## Initial Operation of the M26

The initial operation starts with connecting the power supply (see section «Network and Power Connection, Additional Cables» in the M26 Camera Manual). The first access follows the procedure described in the same manual in the «Initial Operation of the Camera» section. All other tasks require access to the camera's user interface in the browser. Enter the camera's IP address in the address bar of the browser (user "admin", password "meinsm"; password must be changed upon first login – camera software V5.1.x and higher).

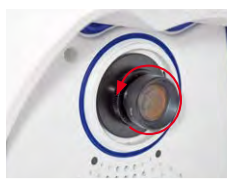
### 1. Set installed lens (only when exchanging)

Open the **Admin Menu > Hardware Configuration > Lens Configuration** dialog and select the installed lens. This step is required to select the proper special functions of the installed lens (e.g., for wide-angle lenses).

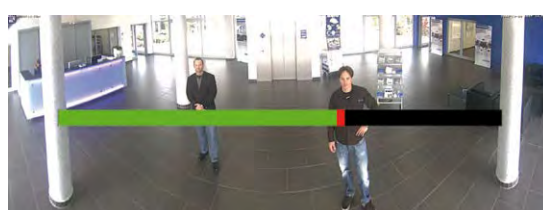


### 2. Adjust lens focus (if required)

This step is only necessary if the lens has been installed for the first time or exchanged. In cameras with a MX-B016 ("Hemispheric") lens, the lens has been focused at the factory. Remove the dome before proceeding.



Check the live image from the camera in the browser. Activate the focusing aid in the browser (**Focusing Aid** quick control, **Activated** value).



Carefully turn the lens by hand in clockwise or counter-clockwise direction until the red area of the focusing aid is as small as possible.

Once the focus is adjusted properly, deactivate the focusing aid again (**Focusing Aid** quick control, **Disabled** value).

### 3. Save the configuration

In the live image of the browser, select the **Manage Settings** quick control and set **Store Entire Configuration** as value. The camera stores the configuration in the permanent camera memory so that the settings will be applied at the next camera reboot.

## Boot Options of the M26

By default, the camera starts as DHCP client and automatically tries to get an IP address from a DHCP server. To start the camera in a mode different from the default mode, you can activate the boot menu of the camera.

### 1. Preparing the Camera

- Disconnect the camera's power supply.
- Make sure that you have suitable item such as a paper clip at hand, **but never use sharp or pointed objects!**
- Reconnect the power supply of the camera.

### 2. Activating the Boot Menu

The **Power/Status LED (1)** lights up red 5 to 10 seconds after establishing the power supply and will stay on for 10 seconds. Briefly press the key by inserting the paper clip into the hole indicated by the red circle in the figure. The camera enters the boot menu, ready for selecting one of the boot options.



The LED now flashes once and repeats the flash signal after pausing for one second (the number of flashes indicates the current boot option). To go to the next boot option, briefly press the key (< 1 sec). After the last boot option, the camera returns to the first option (LED flashes once).

LED flashes	Boot Option	Meaning	Audio Confirmation*
1 x	—	This option is not used on this camera model.	—
2 x	Factory Defaults	Starts the camera with factory defaults (factory default IP address, users and passwords will not be reset).	<b>Boing</b>
3 x	Automatic IP Address	Starts the camera as DHCP client and tries to obtain an IP address from a DHCP server. If a DHCP server cannot be found or no IP address can be obtained, the camera starts with its factory default address.	<b>Boing Boing</b>
4 x	Recovery System	Starts the camera with the recovery system, e.g., in order to recover from a failed update of the camera software.	<b>Alarm Sound</b>

\*Only on cameras with audio option and installed speaker.

### 3. Selecting a Boot Option


Press the paper clip longer (> 2 sec) into the hole. The camera confirms the selection by flashing rapidly three times. You can now remove the paper clip. After 20 sec, the camera will confirm the selection by playing a sound according to the table above.


If nothing is selected, the camera will resume its normal boot process after a certain time.


## Important Notes


### Safety Warnings


#### Notes on Installing:


- This product must not be used in locations exposed to the dangers of explosion. 
- Make sure that you install this product as outlined in Chapter 2, «Installation» of the corresponding manual. A faulty installation can damage the camera!
- When installing this product, make sure that you are only using genuine MOBOTIX parts and MOBOTIX connection cables.
- Only install this product on suitable, solid materials that provide for a sturdy installation of the fixing elements used.


**Electrical installation:** Electrical systems and equipment may only be installed, modified and maintained by a qualified electrician or under the direction and supervision of a qualified electrician in accordance with the applicable electrical guidelines. Make sure to properly set up all electrical connections. 

**Electrical surges:** MOBOTIX cameras are protected against the effects of small electrical surges by numerous measures. These measures, however, cannot prevent the camera from being damaged when stronger electrical surges occur. Special care should be taken when installing the camera outside of buildings to ensure proper protection against **lightning**, since this also protects the building and the whole network infrastructure. 


**Max. power consumption of attached extension modules:** The power consumption of all attached **MxBus modules** must not exceed **2,5W**. When attaching modules to the MxBus connector **and** the USB socket, the **power consumption of all attached modules must not exceed 3W, if the camera is powered by PoE class 3**. If **PoE class 2** is used, **the power consumption of all attached modules must not exceed 1W!** 

**Never touch the lens:** Due to the high performance of the M26, the area of the image sensor can get quite hot, especially when the ambient temperature is also high. This does not affect the proper functioning of the camera in any way. For this reason, the product must not be installed within the reach of persons without the lens cover. 


**Power off before opening the camera:** Make sure the power supply to the camera is disconnected before opening the camera housing (e.g., when inserting or exchanging lenses, lens units and SD cards). 

**Network security:** MOBOTIX products include all of the necessary configuration options for operation in Ethernet networks in compliance with data protection laws. The operator is responsible for the data protection concept across the entire system. The basic settings required to prevent misuse can be configured in the software and are password-protected. This prevents unauthorized parties from accessing these settings. 


### Legal Notes

**Legal aspects of video and sound recording:** You must comply with all data protection regulations for video and sound monitoring when using MOBOTIX products. Depending on national laws and the installation location of the M26, the recording of video and sound data may be subject to special documentation or it may be prohibited. All users of MOBOTIX products are therefore required to familiarize themselves with all valid regulations and comply with these laws. MOBOTIX AG is not liable for any illegal use of its products. 

### 1. Disposal

Electrical and electronic products contain many valuable materials. For this reason, we recommend that you dispose of MOBOTIX products at the end of their service life in accordance with all legal requirements and regulations (or deposit these products at a municipal collection center). MOBOTIX products must not be disposed of in household waste! If the product contains a battery, please dispose of the battery separately (the corresponding product manuals contain specific directions if the product contains a battery). 

### 2. Disclaimer

MOBOTIX AG does not assume any responsibility for damages, which are the result of improper use or failure to comply to the manuals or the applicable rules and regulations. Our **General Terms and Conditions** apply. You can download the current version of the General Terms and Conditions from our website at [www.mobotix.com](http://www.mobotix.com) by clicking on the **COS** link at the bottom of every page. 

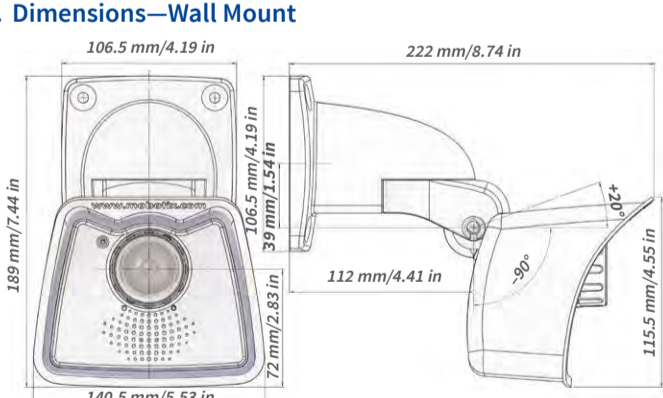
## Technical Specifications M26

Model Versions	Mx-M26A/B* (all Day/Night image sensors) *Variant Mx-M26B supports MOBOTIX MxBus modules
Lens Options	MX-B016 bis MX-B500, 180° to 8° horizontal angle of view
Sensitivity	Color sensor (day): 0.1 lx @ 1/60s; 0,005 lx @ 1s BW sensor (night): 0.02 lx @ 1/60s; 0,001 lx @ 1s
Image Sensor	1/1.8" CMOS, 6MP (3072x2048), progressive scan
Max. Image Size	6MP (3072x2048)
Image Formats	Freely configurable format 4:3, 8:3, 16:9 or customized format (image cropping), like 2592x1944 (5MP), 2048x1536 (QXGA), 1920x1080 (Full-HD), 1280x960 (MEGA)
Max. Frame Rate	MxPEG: 42@HD(1280x720), 34@Full-HD, 24@QXGA, 14@5Mp, 12@6MP M-JPEG*: 25@HD(1280x720), 13@Full-HD, 9@QXGA, 5@5Mp, 4@6MP H.264: 25@Full-HD, 20@QXGA
Video Codec	MxPEG, M-JPEG, JPEG (max. output size 6MP) H.264 (max. output size QXGA, bandwidth limitation applicable)
ONVIF	ONVIF-S (camera software V5.2.x and higher, 2 <sup>nd</sup> half of 2018)
DVR	On internal MicroSD card (SDXC, SDHC pre-installed) External on USB device External on NAS Full image recording regardless of live image zoom MxFFS Pre-alarm and post-alarm images DVR monitoring with error notification
Software	MxManagementCenter
Image Processing	MxLEO, backlight compensation, automatic white balance, image distortion correction
PTZ	Digital pan/tilt/zoom; max. zoom 8x (continuous)

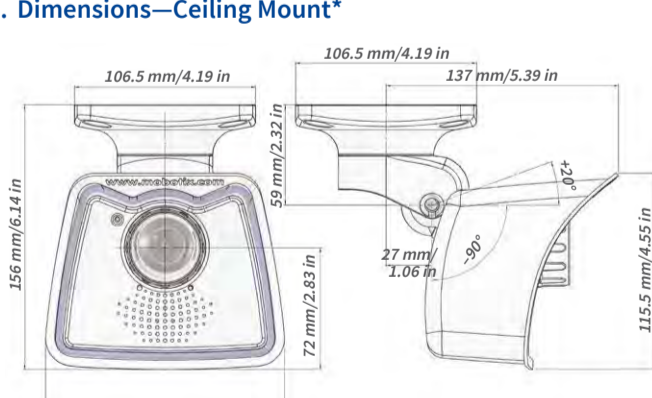
Alarm/Events	Temperature sensor, shock detector (with firmware version 5.0.1 and higher), microphone, other sensors/I/Os via MxMessageSystem, notification via e-mail, FTP, IP telephony (VoIP, SIP), visual/sound alarms, pre- and postalarm images
Intelligent Video Analysis	MxActivitySensor, video motion analysis, MxAnalytics
Audio	Microphone/loudspeaker, both 16bit/16kHz (HD-Wideband-Audio) Lip-synchronous audio, audio recording VoIP/SIP, two-way communication, remote controlling using key codes
Interfaces	Ethernet 100Base-T, MiniUSB, MxBus*, inputs/outputs and RS232 via accessories *Only variant Mx-M26B
Security	User/Group management, SSL, IP address filter, IEEE802.1x, intrusion detection, digital image signature, MxFFS
Certifications	EN 55032:2012, EN 55024:2010, EN 50121-4:2015, FprEN 61000-6-1:2015, EN 61000-6-2:2015, EN 61000-6-3:2007+A1:2011+AC:2012, EN 61000-6-4:2007+A1:2011, EN 50581:2012, EN 60950-1:2006+A11:2009+A12:2010+A12:2011+A2:2013, 47 CFR Part 15B, AS/NZS CISPR32:2015
Power Supply	Power over Ethernet (IEEE 802.3af)
Power Consumption	Typ. 4W
Power Consumption of External Devices	At MxBus: max. 2,5W, at USB: max. 2,5W, total max. 3W The power consumption of the camera will increase accordingly!
Protection Classes	IP66 IK10
Ambient Temperature	-30 to 50 °C/-22 to 122 °F
Dimensions/Weight	W x H x D: 140 x 189 x 220 mm; weight: about 350 g
Standard Delivery	Housing (high-resistance composite, PBT), white, conversion set for ceiling mount*, mounting supplies, wrenches, 50 cm patch cable, software, MicroSD card (installed) *Only in delivery if included in initial order!

## Dimensions/Drilling Template

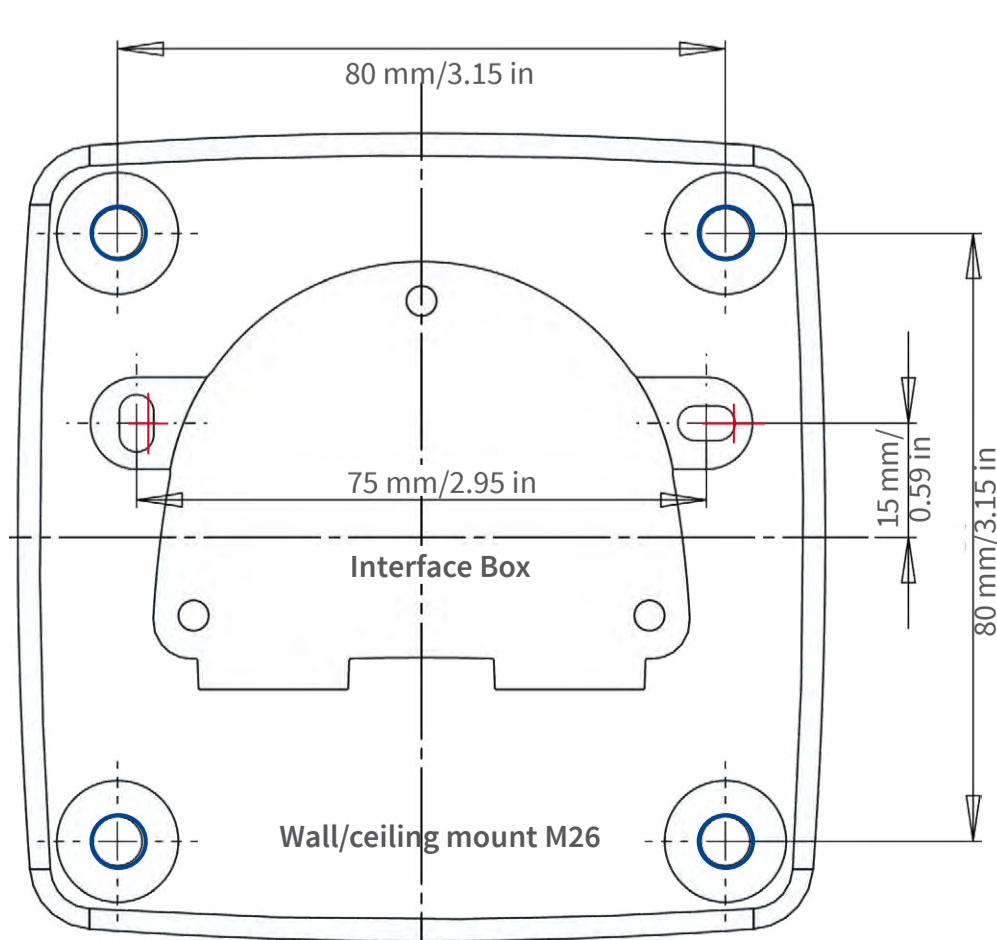
### 1. Dimensions—Wall Mount



### 2. Dimensions—Ceiling Mount\*



\*Only in delivery if included in initial order!



Further information on [www.mobotix.com](http://www.mobotix.com):

- Products > Outdoor Cameras > M26 Allround
- Support > Download Center > Documentation > Certificates & Declarations of Conformity

MOBOTIX, the MX Logo, MxPEG and MxActivitySensor are trademarks of MOBOTIX AG registered in the European Union, the U.S.A., and other countries. Information subject to change without notice. MOBOTIX does not assume any liability for technical or editorial errors or omissions contained herein. All rights reserved. © MOBOTIX AG 2017

**MOBOTIX**