

# Quick Installation

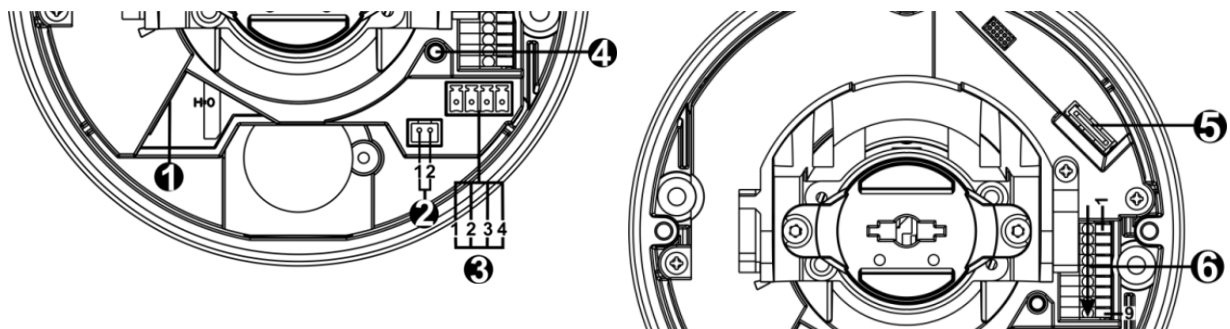
## MOBOTIX 2MP Vandal Analytics Fixed Dome Camera Mx-VD2A-2-IR-VA

**NOTE!** This guide is only valid for installing and connecting the camera 2MP Vandal Analytics Fixed Dome Camera. For more information, refer to the corresponding Product User Guide.

### Installation Notes

- This camera must be installed by qualified personnel and the installation should conform to all local codes.
- Do not replace batteries of the camera. Risk of explosion may occur if the battery is replaced by an incorrect type.
- To use an external power supply, please contact the camera manufacturer to confirm that the power supply complies with the LPS requirements and shares the same power specifications with the camera.

### Camera Connectors



## Quick Installation 2MP Vandal Analytics Fixed Dome Camera

No.	Connector	Pin	Definition	Remarks
1	RJ-45	-	For network and PoE connections	
2	BNC*	1	BNC	For analog video output
		2	GND	
3	Power (DC 12V / AC 24V)	1	AC 24V 1	Power connection
		2	AC 24V 2	
		3	DC 12V 1	
		4	DC 12V 2	
4	Default Button	-	Press the default button with a proper tool for at least 20 seconds to restore the camera.	
5	microSD Card Slot	-	Insert the microSD card into the card slot to store videos and snapshots. Do not remove the microSD card when the camera is powered on.	
6	Alarm & Audio I/O	1	Audio In L	Audio In (Line In)
		2	Audio In R	
		3	GND	Ground connection
		4	Audio Out L	Audio Out (Line Out)
		5	Audio Out R	
		6	Alarm Out +	Alarm connection>
		7	Alarm Out -	#Do <b>NOT</b> connect external power supply to the alarm I/O connector of the IP camera.
		8	Alarm In +	
		9	Alarm In -	

\*Contact the manufacturer for the compatible BNC cable.

**NOTE!** It is not recommended to record with the microSD card for 24/7 continuously, as it may not be able to support long term continuous data read / write. Please contact the manufacturer of the microSD card for information regarding the reliability and life expectancy of the product.

## Camera Cabling

### Power Connection

Please use a DC 12V / AC 24V power adaptor and plug it to the camera and the power outlet. Alternatively, users can use an Ethernet cable and connect it to the RJ-45 connector of the camera and a Power Sourcing Equipment (PSE) switch.

**NOTE!** If PoE is used, make sure PSE is in use in the network.

### Zero Downtime Power Switching (ZDT)

Please connect the camera to an AC 24V or PoE power source as the main power supply, and then connect DC 12V as the secondary power supply. If the main power source fails, the camera will switch power input seamlessly to the DC12V port until the main power source is restored.

### Ethernet Cable Connection

Connect one end of the Ethernet cable to the RJ-45 connector of the camera, and plug the other end of the cable to the network switch or PC.

**NOTE!** In some cases, Ethernet crossover cable might be needed when connecting the camera directly to the PC.

**NOTE!** Check the status of the link indicator and the activity indicator LEDs. If the LEDs are unlit, please check the LAN connection.



Green Link Light indicates good network connection.

Orange Activity Light flashes for network activity indication.

**NOTE!** The ITE is to be connected only to PoE networks without routing to the outside plant or equivalent description.

### Before Login to the Camera

A client program will be automatically installed to the PC when connecting to the camera. Before logging in to the camera, please ensure downloading the ActiveX control is allowed by either changing the ActiveX controls and plug-ins or setting Internet security level to default. For further details, please refer to the User's Manual.

### ActiveX Controls and Plug-ins Settings

1. Start the Internet Explorer (IE).
2. Select **Tools** from the main menu of the browser. Then click on **Internet Options**.
3. Click on the **Security** tab and select **Internet**, and click on **Custom level** to change ActiveX settings.
4. Set “ActiveX controls and plug-ins” items to **Prompt** or **Enable**.

### Internet Security Level

1. Start the Internet Explorer (IE).
2. Select **Tools** from the main menu of the browser. Then click on **Internet Options**.
3. Click on the **Security** tab and select **Internet**.
4. Down the page, click **Default Level** and click on **OK** to confirm the setting. Close the browser window, and open a new one later for accessing the IP camera.

## Camera Login

The default IP address of the camera is 10.x.x.x. By default, the camera starts as DHCP client and automatically tries to get an IP address from a DHCP server.

### Login ID and Password

1. Enter the camera’s IP address in the URL bar of the web browser and hit “Enter”.
2. Enter the default username (**admin**) and password (**meinsm**).

**NOTE!** ID and password are case-sensitive.

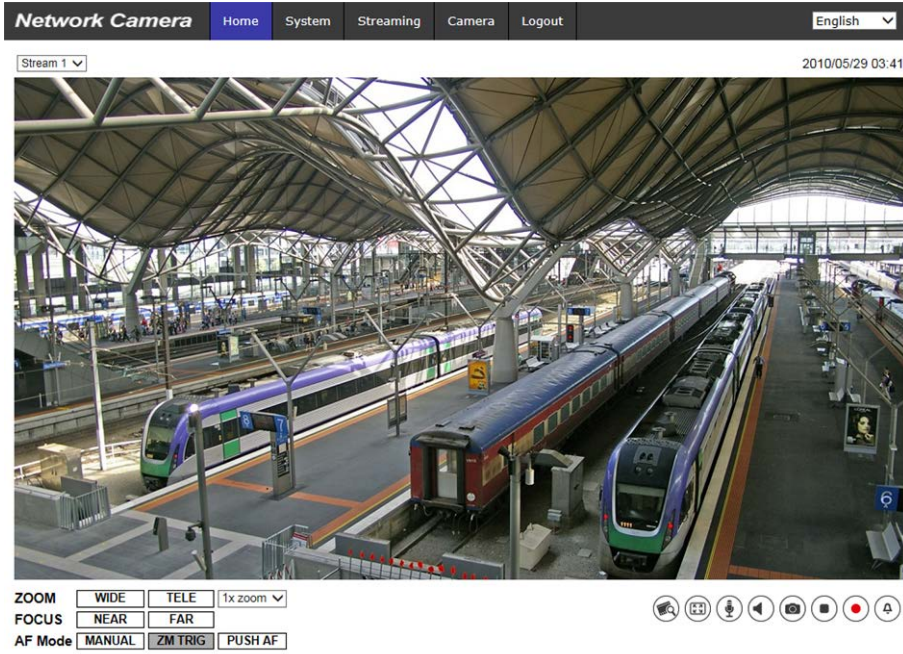
**CAUTION!** It is strongly advised to change the default password. Refer to the menu tree of your 2 MP WDR IP camera for further details.

### Install the ActiveX Control

- After connecting to the camera, the request for installing the ActiveX control will appear just below the URL bar.
- Right click on the information bar, and then click on **Install ActiveX Control...** to permit ActiveX control installation.
- In the pop-up security warning window, click on **Install** to start downloading Viewer software on the PC.
- Click on **Finish** after Viewer installation is completed.

## Browser-based Viewer

The main page of the IP camera user interface is shown as the figure below. The function buttons will vary depending on the camera model.



# MOBOTIX

BeyondHumanVision

EN\_03/21

MOBOTIX AG • Kaiserstrasse • D-67722 Langmeil • Tel.: +49 6302 9816-0 • sales@mobotix.com • www.mobotix.com

MOBOTIX is a trademark of MOBOTIX AG registered in the European Union, the U.S.A., and in other countries. Subject to change without notice. MOBOTIX do not assume any liability for technical or editorial errors or omissions contained herein. All rights reserved.

© MOBOTIX AG 2020