



# Technical Specifications

## MOBOTIX MOVE 4K (8MP) LIR Video Analytics Speed Dome

Supported by high-performance DNN processor/SoC in combination with state-of-the-art CMOS video sensor, the MOBOTIX MOVE 4K (8MP) LIR Video Analytics Speed Dome is much more than just standard, providing crisp, noise-free and smooth video streaming at high 4K (8MP) resolution even under extreme low-light conditions. The LASER-based object distance measuring LiDAR system ensures precise and fast optical focusing even under difficult environmental and low-light conditions. The integrated DNN-based video analytics functions include face and license plate recognition that can be combined with preset PTZ positions to enable a wide variety of 24/7 video surveillance applications. The MOBOTIX EverClear superhydrophilic and self-cleaning nano coating of the front glass ensures best image quality even in rain and reduces cleaning efforts and operational costs.

- High light sensitivity: 0.02 Lux color, 0.001 Lux B/W
- 31x motorized zoom/focus lens 6.9 to 214.6 mm
- Precise LiDAR focusing system
- WDR up to 130 dB
- Integrated IR illumination up to 300 m/984 ft
- Quad streaming H.264/H.265/MJPEG
- Intelligent encoding, smart low-bitrate control
- MOBOTIX MxMessageSystem
- 2D & 3D motion-compensated noise reduction (MCTF)
- ONVIF Profile S/G/T/M support
- Electronic image stabilizer (EIS)
- Auto object tracking, DNN-based (persons, vehicles)
- DNN video analytics (8 VA, Face & ALPR) linkable to PTZ presets & smart event functions
- Smart Event Functions
- microSD/SDHC/SDXC card support up to 1 TB
- Dual power support (IEEE802.3bt/AC24V)
- Outdoor protection rate IP66, IK10 housing
- Temp. Range -40 to 55 °C/-40 to 131 °F with integrated heater ON
- EverClear coating of front glass



BeyondHumanVision

MOBOTIX MOVE

## Technical Specifications

### MOBOTIX MOVE 4K (8MP) LIR Video Analytics Speed Dome

#### High-Quality DNN Edge Video Analytics



The latest computer vision technology makes the DNN-accelerated video processing engine efficient at the edge. This integrated engine provides high accuracy, real-time object tracking, and 10 (DNN-based) video analytics functions including ALPR and human face recognition. Moreover, it allows simultaneous detection on multiple objects.

#### MOBOTIX EverClear Nano Coating

The new, groundbreaking MOBOTIX EverClear coating uses a special nano technology that transforms water droplets into an ultra-thin water film immediately upon impact. This ensures the highest image quality in rain and difficult environmental conditions and reduces maintenance costs due to its “self-cleaning” effect.



## Product Information

Product Name	4K (8MP) LIR Video Analytics Speed Dome
Order Code	Mx-SD1A-831-LIR-VA

## Hardware Design

Processor	Ambarella CV25 (Quad-core ARM® Cortex®-A53, 1 GHz)
Memory	RAM: 512 MBytes FLASH: 256 MBytes

## Technical Specifications

### MOBOTIX MOVE 4K (8MP) LIR Video Analytics Speed Dome

---

Image Sensor	4K (8MP), 1/2.8" Progressive CMOS IMX678 (SONY STARVIS 2)
Effective (Used) Pixels	3864x2180 (4K/8MP)

---

## Lens

Minimum Illumination	Color: 0.02 Lux B/W: 0.001 Lux F1.6, AGC=on, 30 IRE, 1/1 s
Lens Characteristics	Zoom Lens: Zoom, Auto Focus, P-IRIS, Auto-IRIS Focal Length: 6.9 to 214.6 mm Aperture: F1.35 – F4.6 Horizontal Field of View: 61.8° (Wide), 2.2° (Tele) Vertical Field of View: 35.9° (Wide), 1.3° (Tele)
Focus System	Precise LiDAR-based auto focusing system (905 nm wavelength)
Front Glass Coating	Superhydrophilic MOBOTIX EverClear nano coating transforms water droplets into an ultra-thin water film upon impact. The coating ensures best image quality in rain and difficult external conditions and it reduces reflections and noise in low-light scenarios. EverClear is dirt-repellent and increases the stability as well as the scratch-resistance of the front glass, further reducing maintenance efforts. Coating endurance up to 3 years depending on environmental conditions and cleaning treatment.

---

## Camera

Day/Night	Automatically switchable IR-cut filter
Shutter Speed (Auto)	1 to 1/10000 s
Shutter Speed (Manual)	WDR: 1/67500 s Linear: 1/135000 s
Shutter Priority Mode	Up to 1/45 s
Frame Rate (maximum)	<b>WDR on/off:</b> H.265/H.264: 4K (8MP)@30 fps MJPEG: 1080p@30 fps

---

## Technical Specifications

### MOBOTIX MOVE 4K (8MP) LIR Video Analytics Speed Dome

---

Auto Gain	Min. gain: 3 dB, max. gain: 48 dB, step size: 3
WDR	Up to 130 dB
Electronic Image Stabilizer (EIS)	Yes
Auto Object Tracking	On/off (object-based DNN algorithm: humans/vehicles selectable)
Zoom	Optical: 31x, Digital: 10x
Image Settings	Color, Brightness, Sharpness, Contrast, White Balance, Exposure Control, 2DNR, 3DNR, NR by Motion, Masking, Text Overlay
Image Rotation	90°, 180°, 270°
Servo Feedback	Yes

---

## PTZ Features

Preset positions	Up to 256 positions, 1 Home position
Sequences	Up to 8 sequences with 64 preset positions each
Cruise Paths	Up to 8
Auto Pan Paths	Up to 4
Display Position	Pan/Tilt degrees can be displayed in live image
Pan Range	360° endless
Tilt Range	-20° to +100°
Pan Speed	Manual Pan Speed: 0.1°–90°/s Preset Pan Speed: 300°/s
Tilt Speed	Manual Tilt Speed: 0.1°–55°/s Preset Tilt Speed: 300°/s
Joystick/Keypoint Control	RS485 protocols DSCP, Pelco-D and Pelco-P
Video Analytics	Presets can be combined with 1 selectable integrated video analytics feature

---

## Video Codec

Compression/Encoding	H.265/H.264/MJPEG
Streaming	Up to 4 individually configurable streams in H.264/H.265/MJPEG;

---

configurable resolution, frame rate, bandwidth LBR/VBR/CBR in H.265/H.264.

---

## Audio Codec

Compression/Encoding	G.711/G.726/AAC/LPCM
Streaming	Bi-directional
Audio Input	Line In Max. 2.28 V <sub>pp</sub> for line signal Input impedance: 33 kΩ
Audio Output	Line Out Output resistance: 220 Ω Output voltage: 1 V <sub>rms</sub>

---

## Cyber Security Features

Password Protection	Yes (including “forced” password change during initial setup)
IP address filtering	Yes (to restrict unauthorized access based on IP addresses)
IEEE 802.1X network access control	Yes (for advanced network security and authentication)
Digest authentication	Yes (for secure user authentication)
Secure Boot	Yes (support of fixed IP setting and automatic DHCP IP configuration according to individual MAC address)
AES encryption for password protection	Yes (to ensure strong encryption for password storage)
HTTPS/SSL (using TLS)	Yes (TLS 1.2 default, TLS 1.0/1.1 optional selectable)
User and Group Management	Yes (for fine-grained access control)
VPN	Yes (to establish secure network connections)
Digitally signed firmware	Yes (to prevent firmware file tampering)
RSA encryption	Yes (to support stronger ciphers; supported: RSA (2048 bits), AES-128, AES-256, SHA-256, SHA-384)

---

## Technical Specifications

### MOBOTIX MOVE 4K (8MP) LIR Video Analytics Speed Dome

---

#### Network

Interface	10/100 Mbps Ethernet
Supported Protocols	ARP, PPPoE, IPv4/v6, ICMP, IGMP, QoS, TCP, UDP, DHCP, UPnP, SNMP, SMTP, RTP, RTSP, HTTP, HTTPS, FTP, NTP, DDNS, SMBv2, VPN
ONVIF conformance	Supports profiles S/G/T/M
Supported Browsers	All current browsers are supported.

---

#### System Integration

Base Video Analytics	<ul style="list-style-type: none"><li>■ Motion detection</li><li>■ Audio detection</li></ul>
Enhanced DNN-Based Video Analytics (linkable to PTZ presets)	<ul style="list-style-type: none"><li>■ Abandoned objects</li><li>■ Intrusion (object classification/filtering for people, vehicles, etc.)</li><li>■ Sabotage</li><li>■ Wrong direction</li><li>■ Loitering (object classification/filtering for people, vehicles, etc.)</li><li>■ Object counting (object classification/filtering for people, vehicles, etc.)</li><li>■ Object removal</li><li>■ Stopped vehicle (object classification/filtering)</li></ul> <p>2 analytics functions can be activated simultaneously</p>
Enhanced DNN-Based Video Analytics (linkable to PTZ presets)	<ul style="list-style-type: none"><li>■ Face Recognition (incl. gender &amp; age estimation)</li><li>■ Number Plate Recognition – supported countries: Armenia, Austria, Azerbaijan, Belarus, Belgium, Bosnia and Herzegovina, Bulgaria, Croatia, Cyprus, Czech Republic, Denmark, Estonia, Finland, France, Georgia, Germany, Greece, Hungary, Ireland, Israel, Italy, Japan, Kazakhstan, Kyrgyzstan, Latvia, Lithuania, Luxembourg, Moldova, Monaco, Montenegro, Netherlands, North Macedonia, Norway, Poland, Portugal, Romania, Russia, Serbia, Slovakia, Slovenia, Spain, Sweden, Switzerland, Taiwan, Turkey, Ukraine, United Kingdom, Uzbekistan, Vietnam</li></ul>
Event Triggers	<ul style="list-style-type: none"><li>■ External input</li></ul>

---

**MOBOTIX MOVE 4K (8MP) LIR Video Analytics Speed Dome**

- Analytics
- Network failure detection
- Periodical event
- Manual trigger

Event Actions

- External output activation
- Video and audio recording to edge storage
- File upload: FTP, network share and email
- Notification: HTTP, FTP, email

**General**

Housing Materials Metal and plastic

Housing Color RAL 9003

Power Requirements IEEE802.3bt, Type 3, class 6, max 51.00 watt  
AC24V, max 53.10 watt, max 74.80 VA

- Connectors
- RJ45
  - 4 x Alarm in, 2x Alarm out, Audio in, Audio out, RS485 terminal block
  - AC24V terminal block
  - CVBS connector (available with max. 2 activated streams)

IR Illumination 850 nm; up to 300 m/984 ft distance depending on reflection of scenery

Video Storage Micro SD/SDHC/SDXC card support up to 1 TB (using SD card adapter),  
Support for recording to NAS, MOBOTIX HUB, MOBOTIX MOVE NVR

Remotely Upgradable Yes

Environmental Protection Class IP66/IK10 (housing only)

Operating Temperature -40 to 55 °C/-40 to 131 °F with integrated heater ON

Relative Humidity 90 % non-condensing

Storage Conditions -20 to 70 °C/-4 to 158 °F

Approvals EMC: CE, FCC, BIS  
Safety: LVD

## Technical Specifications

### MOBOTIX MOVE 4K (8MP) LIR Video Analytics Speed Dome

---

MTBF	50,000 hours
Warranty	5 years; mechanically wearable parts (motor, gears, belts, etc.) excluded
Dimensions	ø 241 x 364 mm
Weight	5500 g

---

**NOTE!** Observe the [MOBOTIX MOVE Installation Hints](#) document to ensure optimum performance of the camera features.

## Alarm Input/Output Current and Voltage

### Alarm In

5 V with 10 kΩ pull up, 50 mA

### Alarm Out

400 V DC/AC, 120 mA

---



# DORI Specifications

In the video surveillance context, “DORI” stands for Detection, Observation, Recognition and Identification and is based on IEC EN62676-4: 2015. These levels define the minimum pixels that a face of a person must have to provide proper identification, for example.

- **Detection:** Up to this distance, you can reliably determine if a person or vehicle is present.
- **Observation:** Up to this distance, you can see characteristic details of an individual, such as distinctive clothing.
- **Recognition:** Up to this distance, you can determine with a high degree of certainty whether an individual is the same as someone that has been seen before.
- **Identification:** Up to this distance, you can determine the identity of an individual beyond reasonable doubt.

DORI Level	Detection		Observation		Recognition		Identification	
	Wide	Tele	Wide	Tele	Wide	Tele	Wide	Tele
Mx-SD1A-831-LIR-VA	139 m/ 465 ft	3843 m/ 12608 ft	55 m/ 180 ft	1525 m/ 5003 ft	28 m/ 92 ft	767 m/ 2516 ft	14 m/ 46 ft	384 m/ 1260 ft

# Dimensions

**NOTE!** Download the drilling template from the section or on the MOBOTIX website: [www.mobotix.com](http://www.mobotix.com) > [Support](#) > [Download Center](#) > [Marketing & Documentation](#) > [Drilling Templates](#).

**CAUTION!** Always print or copy the drilling template at 100% of the original size!

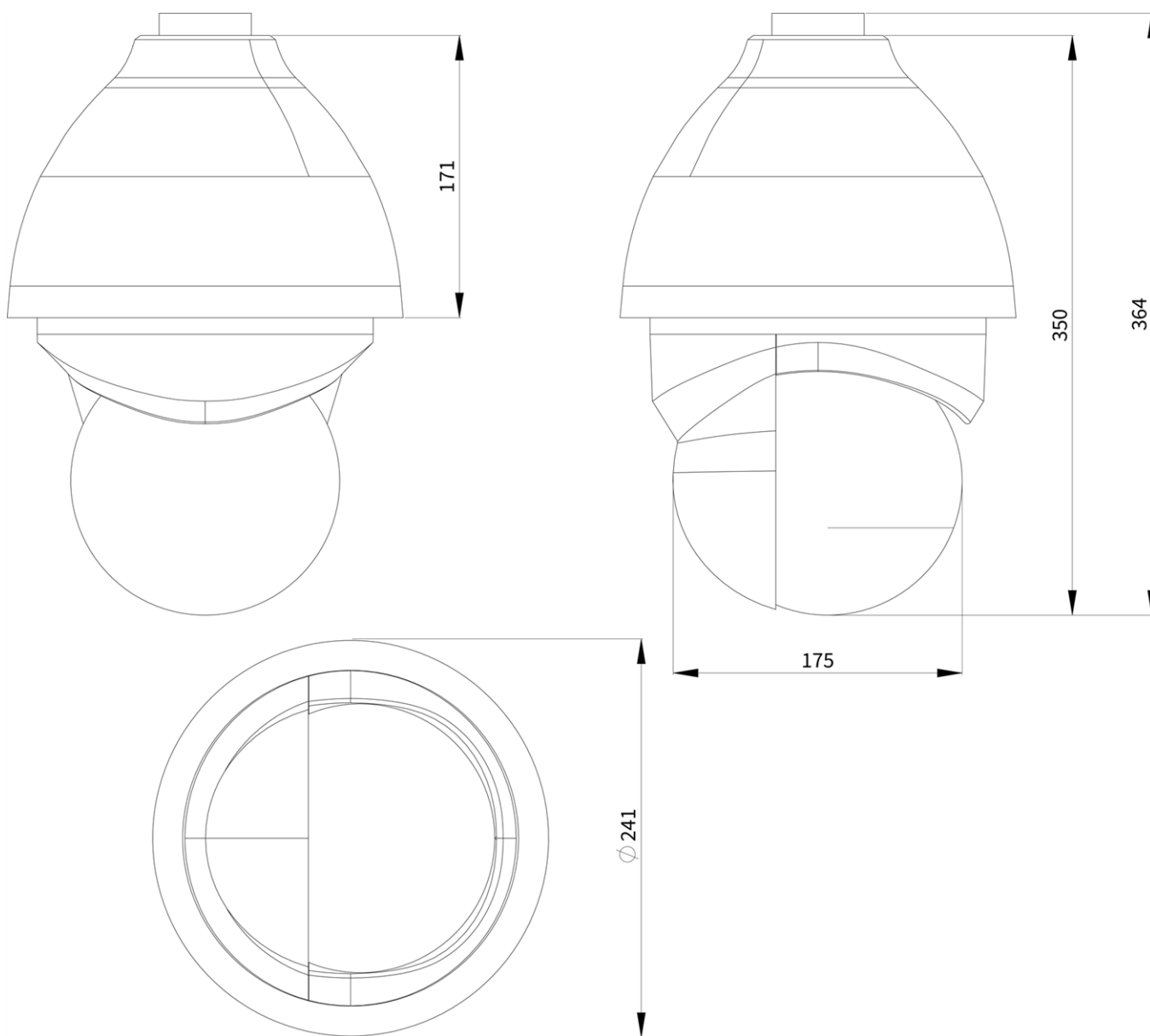




Fig. 1: Mx-SD1A-831-LIR-VA: All measurements in mm

# Accessories for Speed Dome Cameras

Picture/ Order Code	Description	Compatible Products	Material/ Color	Weight
 <p data-bbox="323 976 459 1005">Mx-M-SD-C</p>	<p data-bbox="630 528 954 689">Weatherproof corner mount for MOVE Speed Dome/Vandal Turret cameras.</p>	<p data-bbox="963 528 1166 786">All MOVE Speed Dome/Vandal Turret cameras. Requires Mx-M-SD-W or Mx-M-SD-WL.</p>	<p data-bbox="1193 528 1318 689">SPCC steel, hammer-blow painted RAL9003</p>	<p data-bbox="1414 528 1501 557">2.17 kg</p>
 <p data-bbox="323 1626 459 1655">Mx-M-SD-P</p>	<p data-bbox="630 1043 954 1205">Weatherproof pole mount for MOVE Speed Dome/Vandal Turret cameras.</p>	<p data-bbox="963 1043 1166 1301">All MOVE Speed Dome/Vandal Turret cameras. Requires Mx-M-SD-W or Mx-M-SD-WL.</p>	<p data-bbox="1193 1043 1385 1205">Zinc-galvanized SECC steel, powder-coated RAL9003</p>	<p data-bbox="1414 1043 1501 1072">1.58 kg</p>

**CAUTION!** Cannot be used with MX-M-SD-WM!



**CAUTION!** Cannot be used with MX-M-SD-WM!

## Technical Specifications

### MOBOTIX MOVE 4K (8MP) LIR Video Analytics Speed Dome

Picture/ Order Code	Description	Compatible Products	Material/ Color	Weight
 <p>MX-MH-SecureFlex-ESWS</p>	<p>Weatherproof pole mount for MOVE Speed Dome/Vandal Turret cameras <b>for extreme conditions.</b></p>	<p>All MOVE Speed Dome/Vandal Turret cameras. Requires Mx-M-SD-W or Mx-M-SD-WL.</p> <p><b>CAUTION!</b> Cannot be used with MX-M-SD-WM!</p>	<p>Stainless steel 3 mm, white</p>	<p>1.23 kg</p>
 <p>Mx-M-SD-W</p>	<p>Weatherproof wall mount for MOVE Speed Dome/Vandal Turret cameras.</p>	<p>All MOVE Speed Dome/Vandal Turret cameras. Can be combined with Mx-M-SD-C or Mx-M-SD-P.</p>	<p>Die-cast ADC12 aluminium alloy, hammer-blow painted RAL9003</p>	<p>0.84 kg</p>
 <p>Mx-M-SD-WL</p>	<p>Extended weatherproof wall mount for MOVE Speed Dome/Vandal Turret cameras.</p>	<p>All MOVE Speed Dome/Vandal Turret cameras. Can be combined with Mx-M-SD-C or Mx-M-SD-P.</p>	<p>Die-cast ADC12 aluminium alloy, hammer-blow painted RAL9003</p>	<p>1.5 kg</p>

MOBOTIX MOVE 4K (8MP) LIR Video Analytics Speed Dome

Picture/ Order Code	Description	Compatible Products	Material/ Color	Weight
 <p data-bbox="303 884 470 913">MX-M-SD-WM</p>	<p data-bbox="622 358 941 672">Weatherproof wall mount for MOVE Speed Dome/Vandal Turret cameras. Can also be mounted on top of wall mount junction box MX-M-SD-WMJB.</p>	<p data-bbox="957 358 1149 481">All MOVE Speed Dome/Vandal Turret cameras.</p> <div data-bbox="957 504 1165 884" style="background-color: #e0e0e0; padding: 5px;"> <p><b>NOTE!</b> Can be combined with MX-M-SD-WMJB (wall mount is mounted on top of junction box).</p> </div>	<p data-bbox="1181 358 1372 481">Die-cast ADC12 aluminium alloy, RAL9003</p>	<p data-bbox="1404 358 1500 392">1.3 kg</p>
 <p data-bbox="287 1209 486 1238">MX-M-SD-WMJB</p>	<p data-bbox="622 940 941 1164">Weatherproof wall mount junction box (IP66) for MOVE Speed Dome/Vandal Turret cameras.</p> <p data-bbox="622 1187 941 1444">Allows for comfortable cabling and installation of additional HW equipment such as PoE Injectors, lightning protection, etc.</p>	<p data-bbox="957 940 1149 1064">All MOVE Speed Dome/Vandal Turret cameras.</p> <div data-bbox="957 1086 1165 1512" style="background-color: #e0f0e0; padding: 5px;"> <p><b>CAUTION!</b> Only to be used as base for Mx-M-SD-WM (wall mount is mounted on top of junction box).</p> </div>	<p data-bbox="1181 940 1372 1064">Bracket: Steel, powder-coated RAL9003</p> <p data-bbox="1181 1086 1372 1254">Junction box: Die-cast ADC12 aluminium alloy, RAL9003</p>	<p data-bbox="1404 940 1500 974">4.8 kg</p>

## Technical Specifications

### MOBOTIX MOVE 4K (8MP) LIR Video Analytics Speed Dome

Picture/ Order Code	Description	Compatible Products	Material/ Color	Weight
 MX-M-SD-PM	Pendant mount kit incl. base mount, 25 cm/10 in pendant pipe, installation materials and safety wires 50 cm/20 in & 1 m/39 in.	All MOVE Speed Dome/Vandal Turret cameras.	Die-cast ADC10 aluminium alloy, powder-coated RAL9003	1.58 kg
 MX-M-SD-PMEXT	Extension pipe 25 cm/10 in for MX-M-SD-PM.	Extends MX-M-SD-PM; max. extended total length is 1 m/39 in (3 extensions).	Die-cast ADC10 aluminium alloy, powder-coated RAL9003	0.8 kg

MOBOTIX MOVE 4K (8MP) LIR Video Analytics Speed Dome

Picture/ Order Code	Description	Compatible Products	Material/ Color	Weight
	<p>Weatherproof parapet mount (goose neck; IP66) with integrated junction box for MOVE Speed Dome/Vandal Turret cameras.</p> <p>Integrated junction box allows for comfortable cabling and installation of additional hardware equipment such as PoE Injectors, lightning protection, etc.</p>	<p>All MOVE Speed Dome/Vandal Turret cameras.</p>	<p>Bracket and goose neck: Steel, powder-coated RAL9003</p> <p>Junction box: Die-cast ADC12 aluminium alloy, RAL9003</p>	<p>14.8 kg</p>
<p>MX-M-SD-GN</p>				
	<p>Tinted replacement dome for MOVE Speed Dome cameras SD-230 and SD-330.</p>	<p>All MOVE Speed Dome (SD) cameras SD-230 and SD-330.</p>	<p>Ring: Die-cast ADC12 aluminium alloy, powder-coated RAL9003</p> <p>Dome: Polycarbonate, tinted</p>	<p>0.3 kg</p>
<p>Mx-A-SD-DCS</p>				
	<p>Clear replacement dome for MOVE Speed Dome cameras SD-230 and SD-330.</p>	<p>All MOVE Speed Dome (SD) cameras SD-230 and SD-330.</p>	<p>Ring: Die-cast ADC12 aluminium alloy, powder-coated RAL9003</p> <p>Dome: Polycarbonate, clear</p>	<p>0.3 kg</p>
<p>Mx-A-SD-DCT</p>				

## Technical Specifications

### MOBOTIX MOVE 4K (8MP) LIR Video Analytics Speed Dome

Picture/ Order Code	Description	Compatible Products	Material/ Color	Weight
 Mx-A-SD-DBC-EC	Clear <b>EverClear-coated</b> replacement dome for MOVE Speed Dome cameras SD-230 and SD-330.	All MOVE Speed Dome (SD) cameras SD-230 and SD-330.	Ring: Die-cast ADC12 aluminium alloy, powder-coated RAL9003 Dome: Polycarbonate, clear	0.58 kg
 MX-A-SD-DBT-EC	Tinted <b>EverClear-coated</b> replacement dome for MOVE Speed Dome cameras SD-230 and SD-330.	All MOVE Speed Dome (SD) cameras SD-230 and SD-330.	Ring: Die-cast ADC12 aluminium alloy, powder-coated RAL9003 Dome: Polycarbonate, tinted	0.58 kg

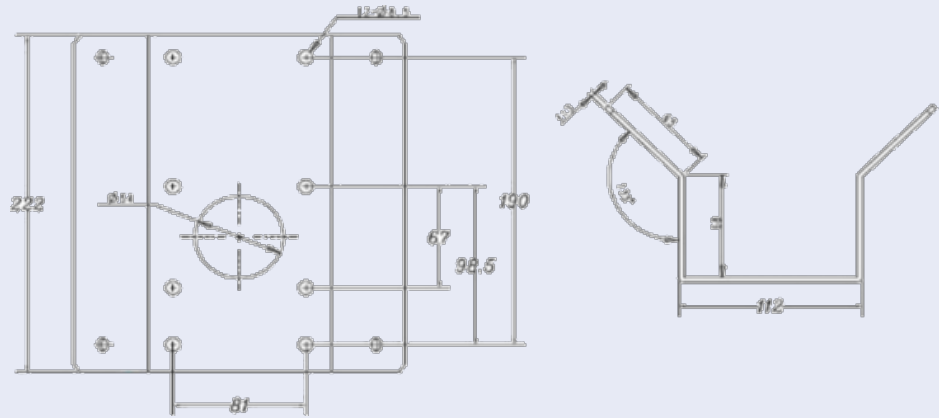


# Dimensions

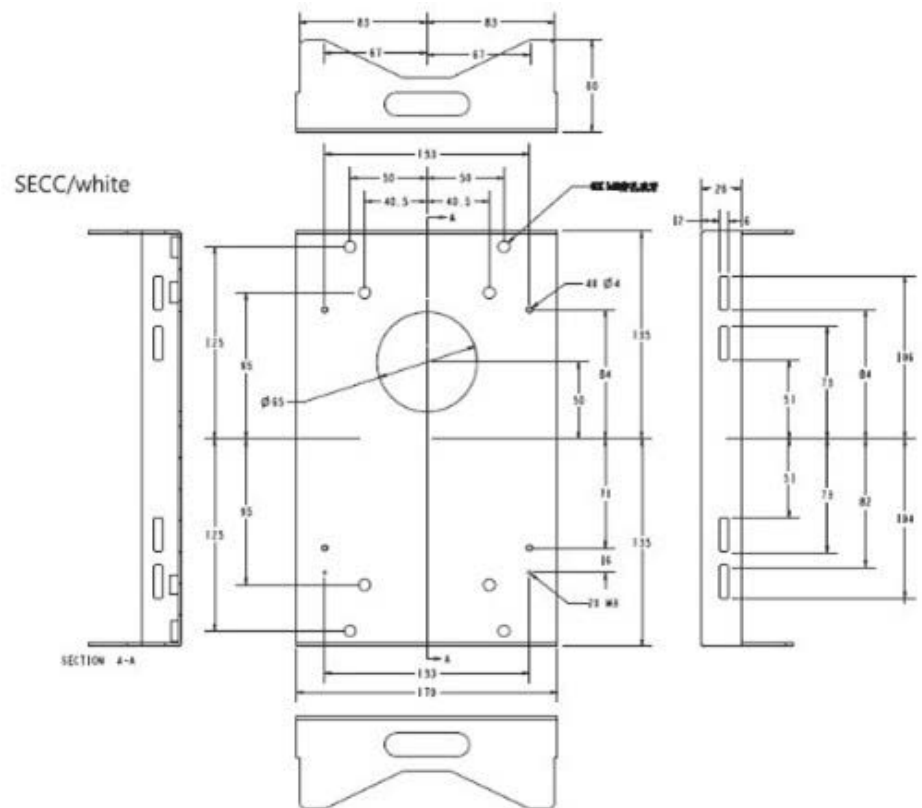
**Order Code**

**Dimensions**

Mx-M-SD-C



Mx-M-SD-P



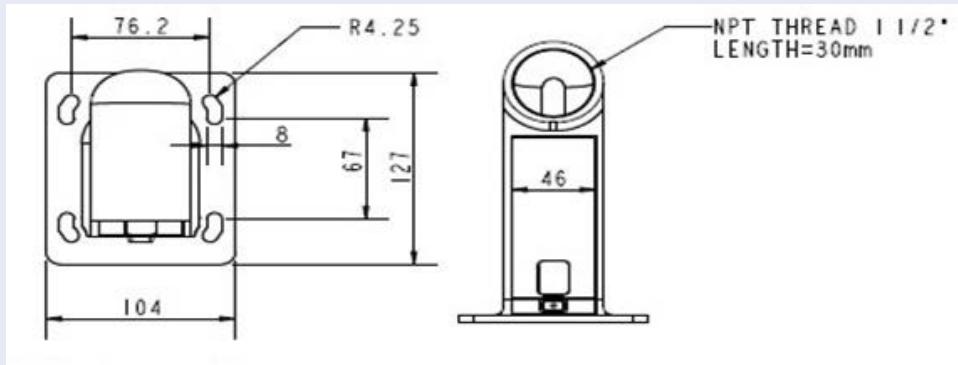
## Technical Specifications

### MOBOTIX MOVE 4K (8MP) LIR Video Analytics Speed Dome

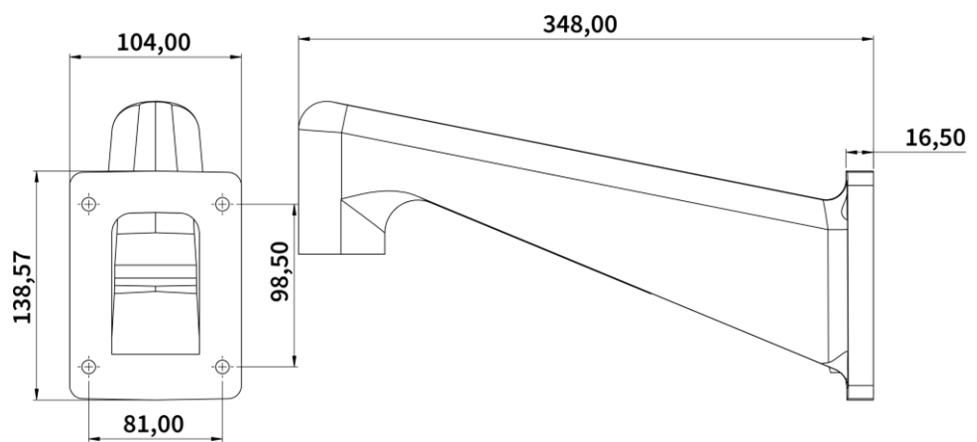
#### Order Code

Mx-M-SD-W

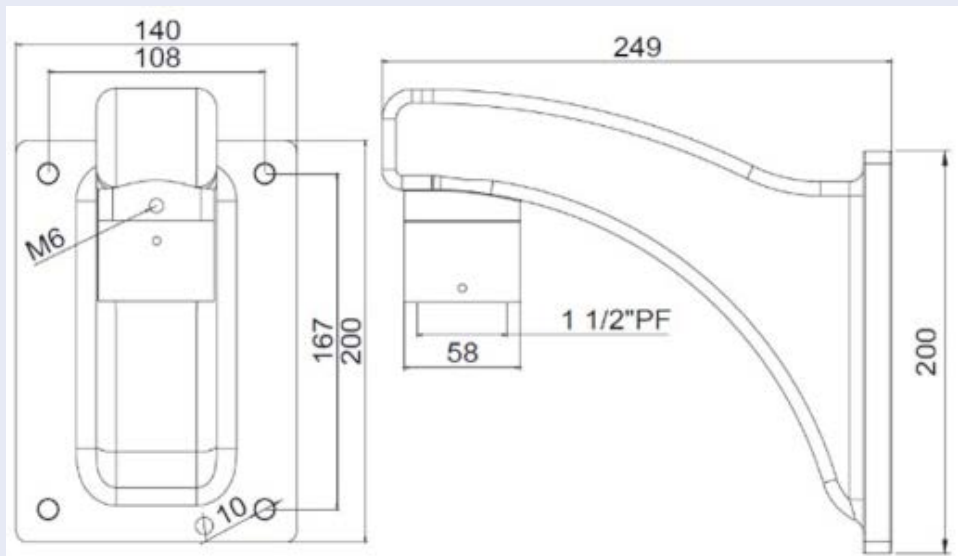
#### Dimensions



Mx-M-SD-WL



MX-M-SD-WM



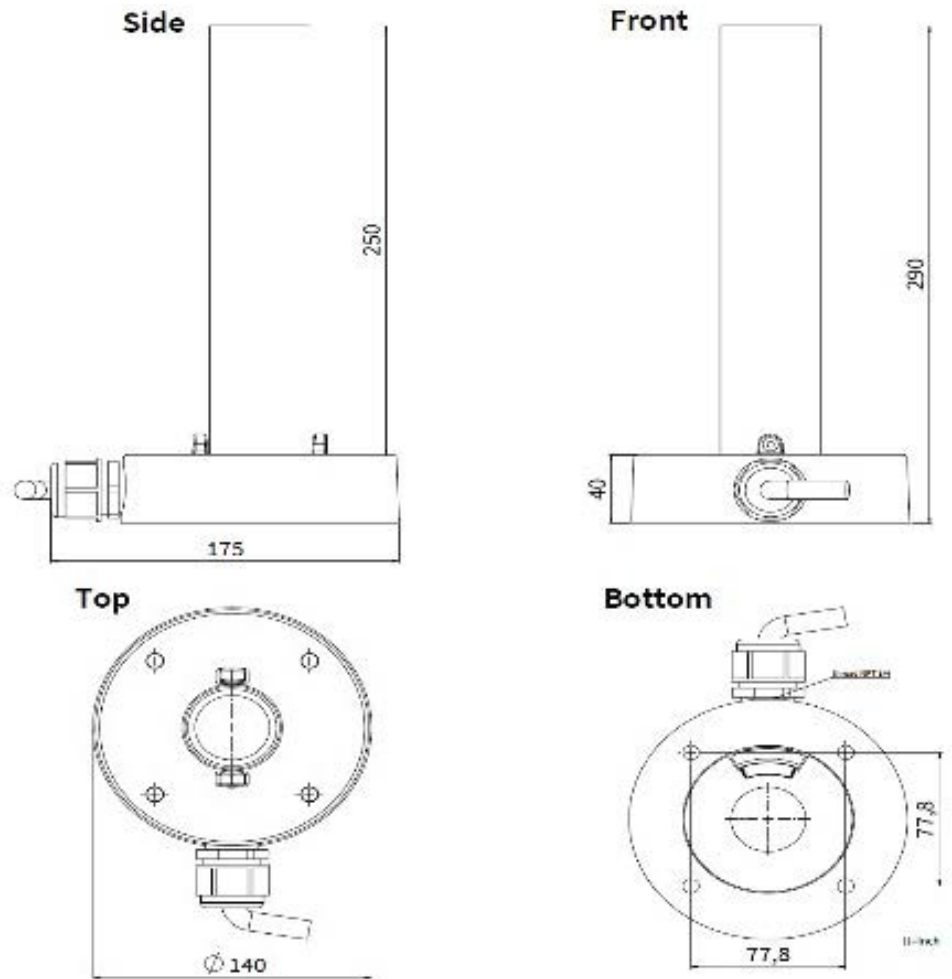
# Technical Specifications

## MOBOTIX MOVE 4K (8MP) LIR Video Analytics Speed Dome

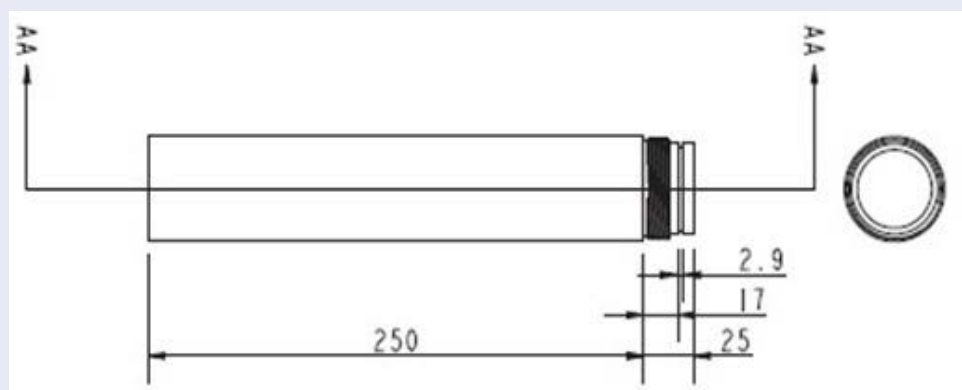
### Order Code

MX-M-SD-PM

### Dimensions



MX-M-SD-PMEXT



## Technical Specifications

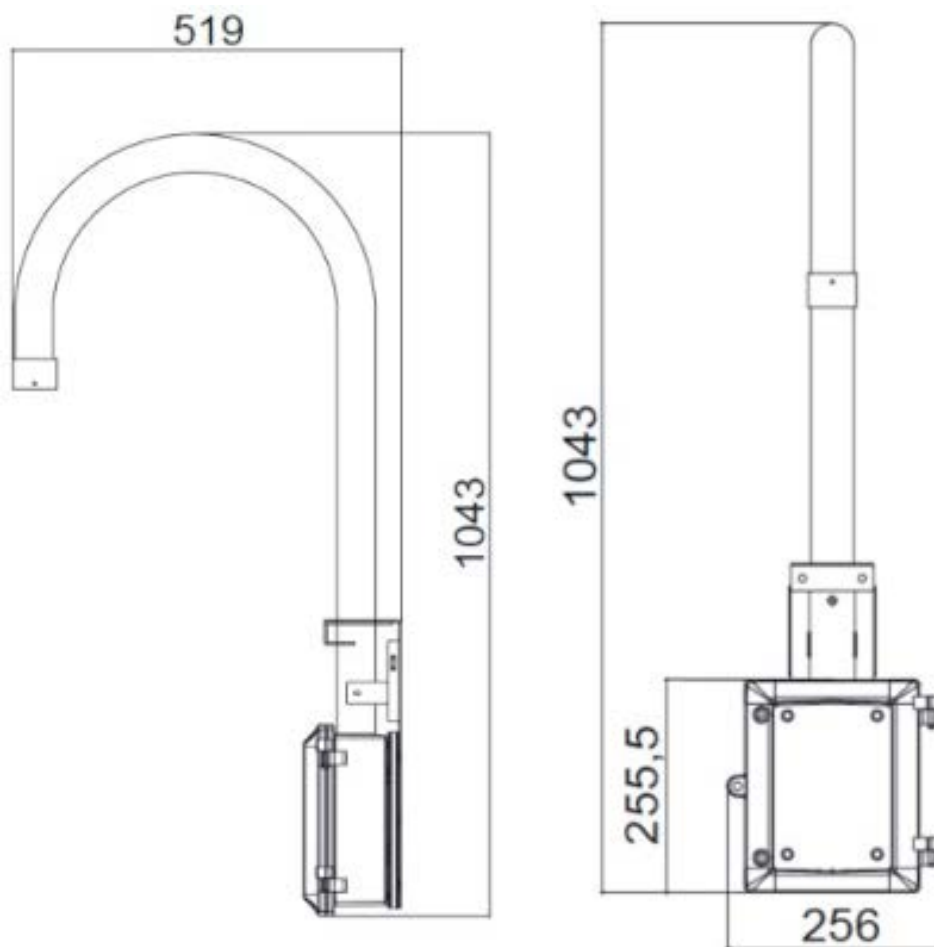
### MOBOTIX MOVE 4K (8MP) LIR Video Analytics Speed Dome

---

#### Order Code

MX-M-SD-GN

#### Dimensions

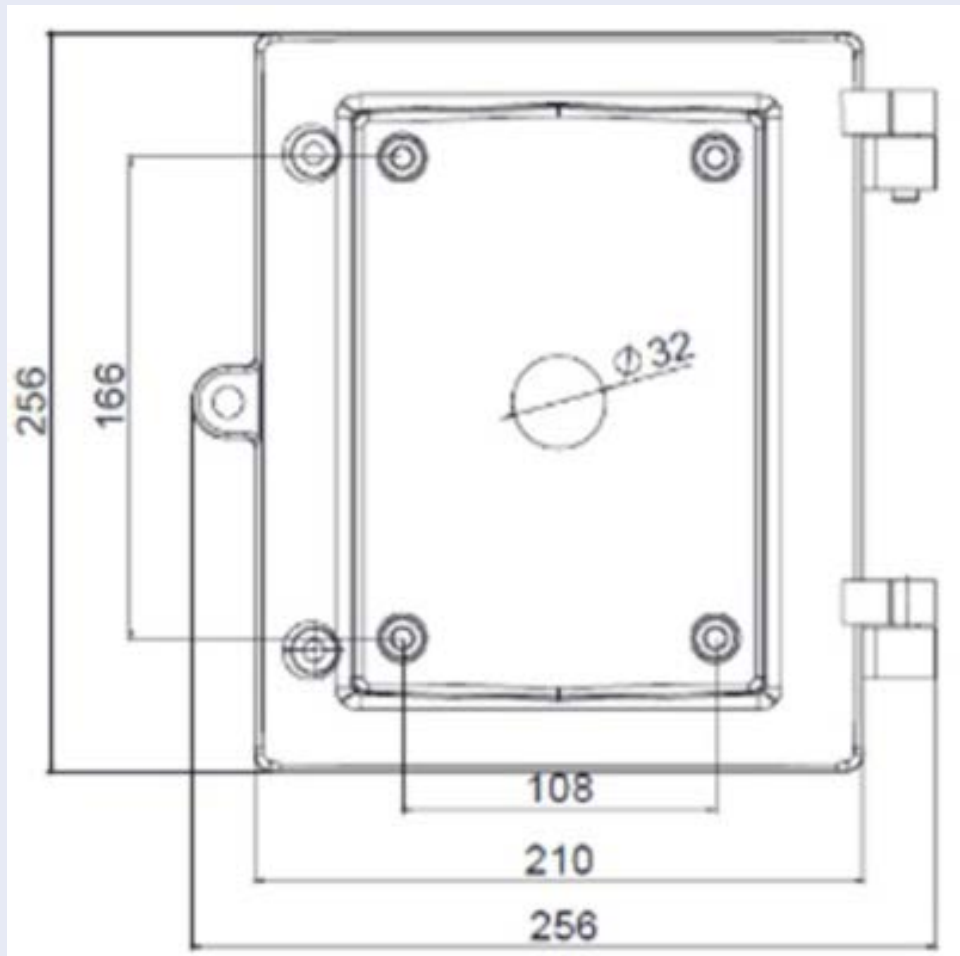


Technical Specifications  
MOBOTIX MOVE 4K (8MP) LIR Video Analytics Speed Dome

Order Code

MX-M-SD-WMJB

Dimensions



## Accessories for All Cameras

Picture/ Order Code	Description	Compatible Products	Material/ Color	Weight
 <p data-bbox="161 976 448 1003">Mx-NPA-PoE1A-60W-BT</p>	<p data-bbox="533 517 919 591">PoE++ Power Network Injector 60 Watt.</p> <p data-bbox="533 613 919 1285">AC Input Voltage: 100 to 240 VAC (50 to 60Hz) • AC Input Current: 1.5A @100-240 VAC • Operating Ambient Temperature: • -10° to 40°C @60W • -10° to 50°C, humidity 10 to 90% @30W • IEEE 802.3bt compliant • Output power of 60W over 4-pairs • Supports 10/100/1000Base-T applications • Plug-and-play installation • Full Protection OVP, OCP • Additional required power cord C14-type not included • Warranty: 1 year.</p>	All cameras.	Plastic housing, black	0.318 kg
 <p data-bbox="161 1771 448 1798">Mx-A-ETP1A-2601-POW</p>	<p data-bbox="533 1314 919 1388">Plug-type power supply for Mx-A-ETP1A-2601-SET.</p> <p data-bbox="533 1411 919 1585">Output: 57V DC +/-3% / 1.2 A • Input: 90-260V AC (47-63Hz) • 68,4 Watt • Operating Temperature: 0-40°C/32-122°F</p>	Mx-A-ETP1A-2601-SET	Plastic housing, black	0.49 kg

**MOBOTIX MOVE 4K (8MP) LIR Video Analytics Speed Dome**

Picture/ Order Code	Description	Compatible Products	Material/ Color	Weight
 <p data-bbox="244 703 517 734">Mx-A-KBD1A-PTZ-JOG</p>	<p data-bbox="608 367 991 450">MOBOTIX USB Keyboard with PTZ Joystick &amp; Jog-Shuttle.</p> <p data-bbox="608 465 991 1368">USB control panel for operating MOBOTIX MxMC 2.6 and higher and MOBOTIX HUB incl. Control of software PTZ and motorized PTZ cameras and pan/tilt devices • Integrated 3-axis joystick • Integrated jog shuttle • 38 control keys with backlight predefined for MxMC functions or freely definable for MOBOTIX HUB • Integrated alarm buzzer • Suitable for operation as HID device on MOBOTIX VMS with Windows and MAC based operating systems via USB 2.0 • Suitable for right- and left-handed users • Power supply: USB, max. 350 mA • Operating temperature: 0°–45°C/32–113 °F.</p>	<p data-bbox="1003 367 1203 629">All cameras. Requires Windows or macOS computer with USB 2.0 or better.</p>	<p data-bbox="1225 367 1353 450">Plastic housing, black</p>	<p data-bbox="1401 367 1477 405">1.9 kg</p>
 <p data-bbox="300 1816 459 1848">MX-SWITCH1</p>	<p data-bbox="608 1397 991 1480">MOBOTIX network switch for DIN (top-hat) rail mounting.</p> <p data-bbox="608 1496 991 1989">5x RJ45 port with 100 MBit/s (1x uplink, 4x PoE+ with max. 75 W). Supply: 48 V DC, max. 75 W. Simplified cabling for door stations due to available connectivity for anti-theft protection, door opener and MxBus. MxBus, anti-theft protection, door and lock contact can be connected via separate wires of Ethernet cable.</p>	<p data-bbox="1003 1397 1158 1435">All cameras.</p>	<p data-bbox="1225 1397 1337 1480">Plastic housing, gray</p>	<p data-bbox="1401 1397 1493 1435">0.31 kg</p>

## Further Reading

[Manuals and Quick Installation documents](#)



[Video Analytics Manual](#)



[Technical Specifications](#)



[MOBOTIX MOVE Installation Hints](#)



[MOBOTIX Community](#)





# MOBOTIX

BeyondHumanVision

[EN\\_01/25](#)

MOBOTIX AG • Kaiserstrasse • D-67722 Langmeil • Tel.: +49 6302 9816-103 • [sales@mobotix.com](mailto:sales@mobotix.com) • [www.mobotix.com](http://www.mobotix.com)

MOBOTIX is a trademark of MOBOTIX AG registered in the European Union, the U.S.A., and in other countries. Subject to change without notice. MOBOTIX do not assume any liability for technical or editorial errors or omissions contained herein. All rights reserved. © MOBOTIX AG 2021