



Technical Specifications

MOBOTIX MOVE Accessories

A wide range of accessories is available in the MOBOTIX MOVE product portfolio. These accessories can be used for different cameras and NVR products and can be mounted for almost any application setup, both indoors and outdoors.

Technical Specifications

Accessories for Bullet Cameras	3
Accessories for Multisensor Cameras	5
Accessories for Speed Dome and Vandal Turret Cameras	9
Accessories for Vandal Dome Cameras	22
Accessories for All Cameras	27
Accessories for MOVE NVR Products	31

Accessories for Bullet Cameras

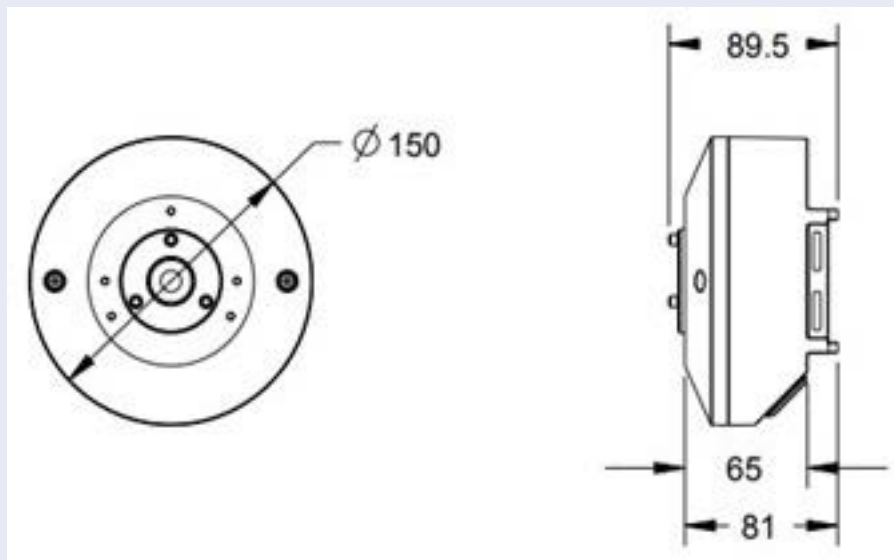
Picture/ Order Code	Description	Compatible Products	Material/ Color	Weight
 Mx-M-BC-P	Weatherproof pole mount for MOVE Bullet cameras (IP66).	All MOVE Bullet (BC) cameras except Mx-BC1A-2-IR.	Die-cast ADC12 aluminium alloy, hammer blow-painted RAL9003	1.0 kg
 Mx-M-BC-W	Weatherproof wall mount for MOVE Bullet cameras (IP66).	All MOVE Bullet (BC) cameras except Mx-BC1A-2-IR.	Die-cast ADC12 aluminium alloy, hammer blow-painted RAL9003	0.84 kg
 Mx-A-VB-FGK-EC	EverClear-coated front glass for MOVE Vandal Bullet cameras.	All MOVE Vandal Bullet (VB) cameras from Nov. 2021.	Aluminum, glass, rubber	0.033 kg

Dimensions

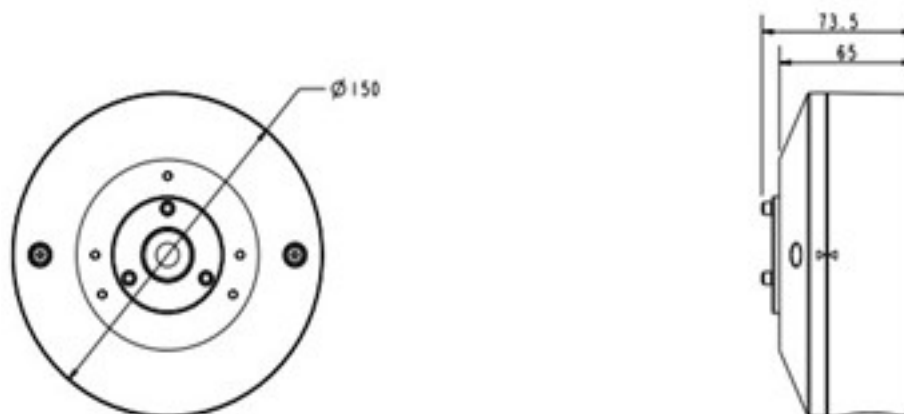
Order Code

Dimensions

Mx-M-BC-P



Mx-M-BC-W






Accessories for Multisensor Cameras

Picture/ Order Code	Description	Compatible Products	Material/ Color	Weight
 <p>Mx-M-VM-AP</p>	Adapter mounting plate for MOVE Vandal Multisensor camera Mx-M-VM1A-20-IR-VA.	MOVE Vandal Multisensor camera Mx-M-VM1A-20-IR-VA. Can be combined with MX-M-SD-GN, MX-M-SD-PM, MX-M-SD-PMEXT, Mx-M-SD-W, Mx-M-SD-WL, Mx-M-SD-WM.	Die-cast ADC12 aluminium alloy, powder-coated RAL9003	1.95 kg
 <p>Mx-M-VM-IC</p>	Indoor in-ceiling mount for MOVE Vandal Multisensor camera Mx-M-VM1A-20-IR-VA.	MOVE Vandal Multisensor camera Mx-M-VM1A-20-IR-VA.	Zinc-galvanized SECC steel, powder-coated RAL9003	0.965 kg
 <p>Mx-A-VM-DBC</p>	Clear replacement dome for MOVE Vandal Multisensor camera Mx-VM1A-20-IR-VA.	MOVE Vandal Multisensor camera Mx-VM1A-20-IR-VA.	Polycarbonate, clear	0.53 kg

Technical Specifications

MOBOTIX MOVE Accessories

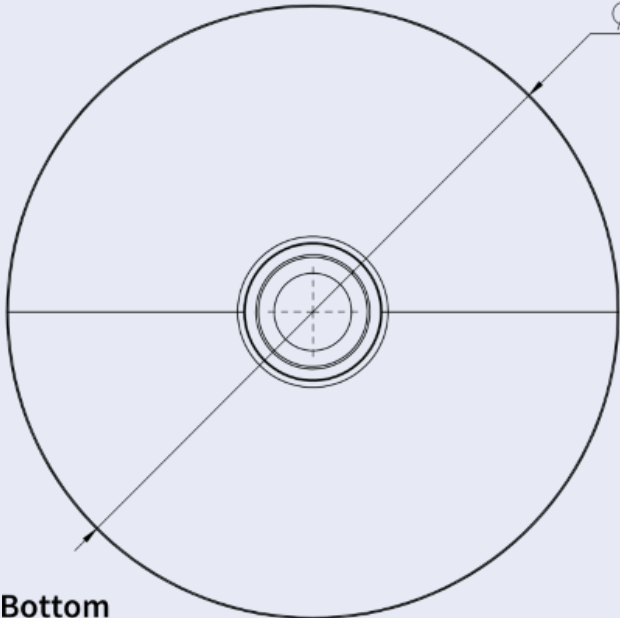
Picture/ Order Code	Description	Compatible Products	Material/ Color	Weight
 Mx-A-VM-DBT	Tinted replacement dome for MOVE Vandal Multi-sensor camera Mx-VM1A-20-IR-VA.	MOVE Vandal Multisensor camera Mx-VM1A-20-IR-VA.	Polycarbonate, tinted	0.53 kg
 Mx-M-VMSD-AP	Adapter mounting plate for MOVE Vandal Multi-sensor PTZ Combo camera Mx-M-VMSD-2021-VA.	MOVE Vandal Multisensor PTZ Combo camera Mx-M-VMSD-2021-VA.	Die-cast ADC12 aluminium alloy, powder-coated RAL9003	1.57 kg
 Mx-M-VMSD-IC	Indoor in-ceiling mount for MOBOTIX MOVE Vandal Multisensor PTZ Combo camera Mx-M-VMSD-2021-VA.	MOVE Vandal Multisensor PTZ Combo camera Mx-M-VMSD-2021-VA.	Die-cast ADC12 aluminium alloy, powder-coated RAL9003	3.5 kg

Dimensions

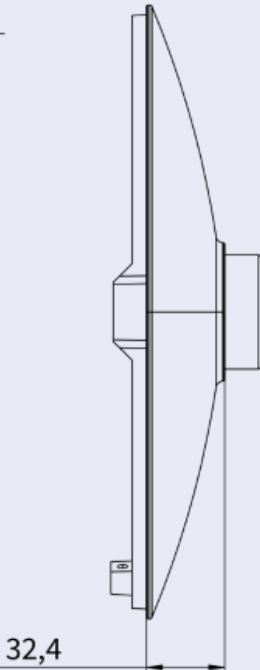
Order Code

Dimensions

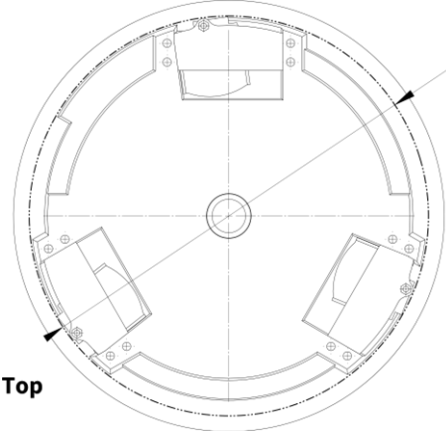
Mx-M-VM-AP



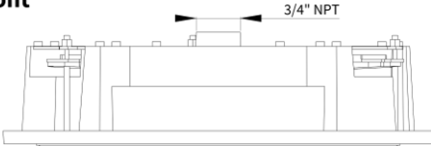
Side



Mx-M-VM-IC



Front



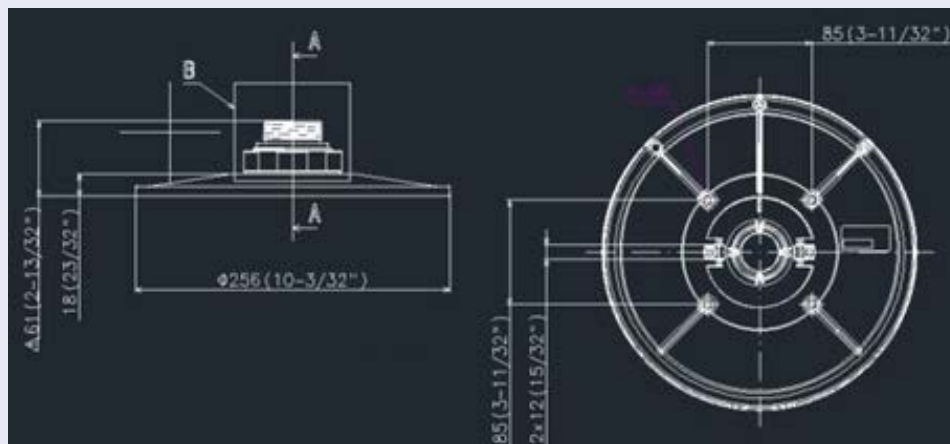
Technical Specifications

MOBOTIX MOVE Accessories

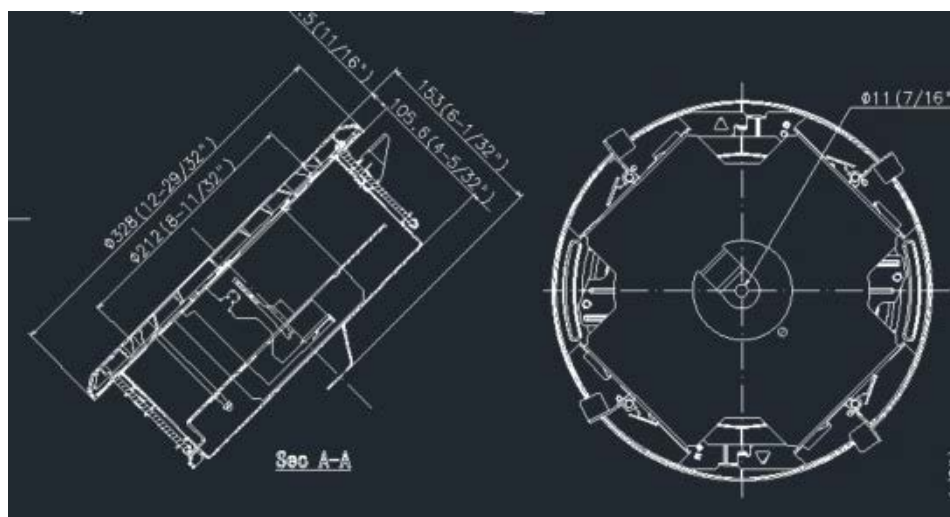
Order Code

Dimensions



Mx-M-VMSD-AP



Mx-M-VMSD-IC



Accessories for Speed Dome and Vandal Turret Cameras

Picture/ Order Code	Description	Compatible Products	Material/ Color	Weight
 <p data-bbox="325 1025 459 1055">Mx-M-SD-C</p>	<p>Weatherproof corner mount for MOVE Speed Dome/Vandal Turret cameras.</p>	<p>All MOVE Speed Dome/Vandal Turret cameras. Requires Mx-M-SD-W or Mx-M-SD-WL.</p>	<p>SPCC steel, hammer-blow painted RAL9003</p>	<p>2.17 kg</p>
 <p data-bbox="325 1675 459 1704">Mx-M-SD-P</p>	<p>Weatherproof pole mount for MOVE Speed Dome/Vandal Turret cameras.</p>	<p>All MOVE Speed Dome/Vandal Turret cameras. Requires Mx-M-SD-W or Mx-M-SD-WL.</p>	<p>Zinc-galvanized SECC steel, powder-coated RAL9003</p>	<p>1.58 kg</p>

CAUTION! Cannot be used with MX-M-SD-WM!



CAUTION! Cannot be used with MX-M-SD-WM!

Technical Specifications

MOBOTIX MOVE Accessories

Picture/ Order Code	Description	Compatible Products	Material/ Color	Weight
 <p>MX-MH-SecureFlex-ESWS</p>	<p>Weatherproof pole mount for MOVE Speed Dome/Vandal Turret cameras for extreme conditions.</p>	<p>All MOVE Speed Dome/Vandal Turret cameras. Requires Mx-M-SD-W or Mx-M-SD-WL.</p> <p>CAUTION! Cannot be used with MX-M-SD-WM!</p>	<p>Stainless steel 3 mm, white</p>	<p>1.23 kg</p>
 <p>Mx-M-SD-W</p>	<p>Weatherproof wall mount for MOVE Speed Dome/Vandal Turret cameras.</p>	<p>All MOVE Speed Dome/Vandal Turret cameras. Can be combined with Mx-M-SD-C or Mx-M-SD-P.</p>	<p>Die-cast ADC12 aluminium alloy, hammer-blow painted RAL9003</p>	<p>0.84 kg</p>
 <p>Mx-M-SD-WL</p>	<p>Extended weatherproof wall mount for MOVE Speed Dome/Vandal Turret cameras.</p>	<p>All MOVE Speed Dome/Vandal Turret cameras. Can be combined with Mx-M-SD-C or Mx-M-SD-P.</p>	<p>Die-cast ADC12 aluminium alloy, hammer-blow painted RAL9003</p>	<p>1.5 kg</p>

Accessories for Speed Dome and Vandal Turret Cameras



Picture/ Order Code	Description	Compatible Products	Material/ Color	Weight
	<p>Weatherproof wall mount for MOVE Speed Dome/Vandal Turret cameras. Can also be mounted on top of wall mount junction box MX-M-SD-WMJB.</p>	<p>All MOVE Speed Dome/Vandal Turret cameras.</p>	<p>Die-cast ADC12 aluminium alloy, RAL9003</p>	<p>1.3 kg</p>
<p>MX-M-SD-WM</p>	<p>NOTE! Can be combined with MX-M-SD-WMJB (wall mount is mounted on top of junction box).</p>			
	<p>Weatherproof wall mount junction box (IP66) for MOVE Speed Dome/Vandal Turret cameras. Allows for comfortable cabling and installation of additional HW equipment such as PoE Injectors, lightning protection, etc.</p>	<p>All MOVE Speed Dome/Vandal Turret cameras.</p>	<p>Bracket: Steel, powder-coated RAL9003 Junction box: Die-cast ADC12 aluminium alloy, RAL9003</p>	<p>4.8 kg</p>
<p>MX-M-SD-WMJB</p>	<p>CAUTION! Only to be used as base for Mx-M-SD-WM (wall mount is mounted on top of junction box).</p>			

Technical Specifications

MOBOTIX MOVE Accessories

Picture/ Order Code	Description	Compatible Products	Material/ Color	Weight
 MX-M-SD-PM	Pendant mount kit incl. base mount, 25 cm/10 in pendant pipe, installation materials and safety wires 50 cm/20 in & 1 m/39 in.	All MOVE Speed Dome/Vandal Turret cameras.	Die-cast ADC10 aluminium alloy, powder-coated RAL9003	1.58 kg
 MX-M-SD-PMEXT	Extension pipe 25 cm/10 in for MX-M-SD-PM.	Extends MX-M-SD-PM; max. extended total length is 1 m/39 in (3 extensions).	Die-cast ADC10 aluminium alloy, powder-coated RAL9003	0.8 kg

Accessories for Speed Dome and Vandal Turret Cameras

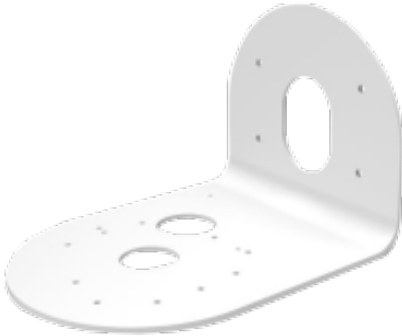

Picture/ Order Code	Description	Compatible Products	Material/ Color	Weight
	<p>Weatherproof parapet mount (goose neck; IP66) with integrated junction box for MOVE Speed Dome/Vandal Turret cameras.</p> <p>Integrated junction box allows for comfortable cabling and installation of additional hardware equipment such as PoE Injectors, lightning protection, etc.</p>	<p>All MOVE Speed Dome/Vandal Turret cameras.</p>	<p>Bracket and goose neck: Steel, powder-coated RAL9003</p> <p>Junction box: Die-cast ADC12 aluminium alloy, RAL9003</p>	<p>14.8 kg</p>
<p>MX-M-SD-GN</p>				
	<p>Tinted replacement dome for MOVE Speed Dome cameras SD-230 and SD-330.</p>	<p>All MOVE Speed Dome (SD) cameras SD-230 and SD-330.</p>	<p>Ring: Die-cast ADC12 aluminium alloy, powder-coated RAL9003</p> <p>Dome: Polycarbonate, tinted</p>	<p>0.3 kg</p>
<p>Mx-A-SD-DCS</p>				
	<p>Clear replacement dome for MOVE Speed Dome cameras SD-230 and SD-330.</p>	<p>All MOVE Speed Dome (SD) cameras SD-230 and SD-330.</p>	<p>Ring: Die-cast ADC12 aluminium alloy, powder-coated RAL9003</p> <p>Dome: Polycarbonate, clear</p>	<p>0.3 kg</p>
<p>Mx-A-SD-DCT</p>				

Technical Specifications

MOBOTIX MOVE Accessories

Picture/ Order Code	Description	Compatible Products	Material/ Color	Weight
 <p>Mx-A-SD-DBC-EC</p>	Clear EverClear-coated replacement dome for MOVE Speed Dome cameras SD-230 and SD-330.	All MOVE Speed Dome (SD) cameras SD-230 and SD-330.	Ring: Die-cast ADC12 aluminium alloy, powder-coated RAL9003 Dome: Polycarbonate, clear	0.58 kg
 <p>MX-A-SD-DBT-EC</p>	Tinted EverClear-coated replacement dome for MOVE Speed Dome cameras SD-230 and SD-330.	All MOVE Speed Dome (SD) cameras SD-230 and SD-330.	Ring: Die-cast ADC12 aluminium alloy, powder-coated RAL9003 Dome: Polycarbonate, tinted	0.58 kg
 <p>Mx-M-VT-AP</p>	Adapter mounting plate for MOVE Vandal Turret cameras.	All MOVE Vandal Turret (VT) cameras.	Bracket: Die-cast ADC12 aluminium alloy, stove-enamel finish RAL9003 Mounting plate: A1050P aluminium alloy, stove-enamel finish RAL9003	0.3 kg

Accessories for Speed Dome and Vandal Turret Cameras

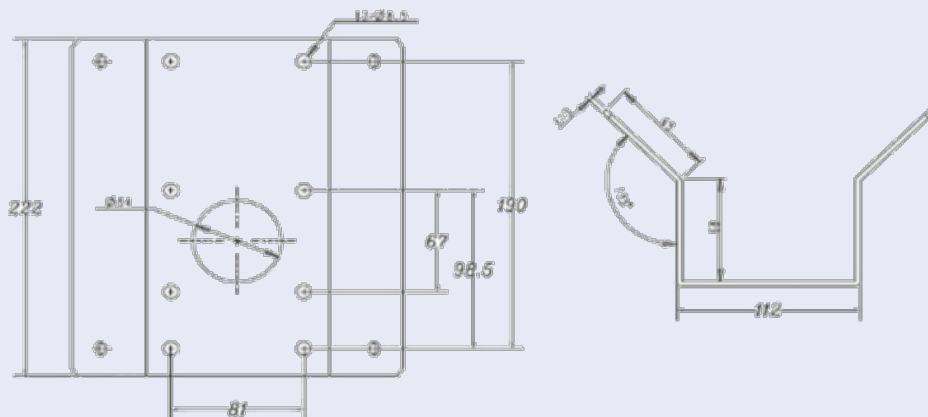
Picture/ Order Code	Description	Compatible Products	Material/ Color	Weight
	Wall mount for MOVE Vandal Turret cameras.	All MOVE Vandal Turret (VT) cameras.	A1050P aluminium alloy, stove-enamel finish RAL9003	0.3 kg
Mx-M-VT-WM	Junction box for MOVE Vandal Turret cameras.	All MOVE Vandal Turret (VT) cameras.	Top/bottom covers: Die-cast ADC12 aluminium alloy, stove-enamel finish RAL9003	0.85 kg
	Mx-M-VT-JB			

Dimensions

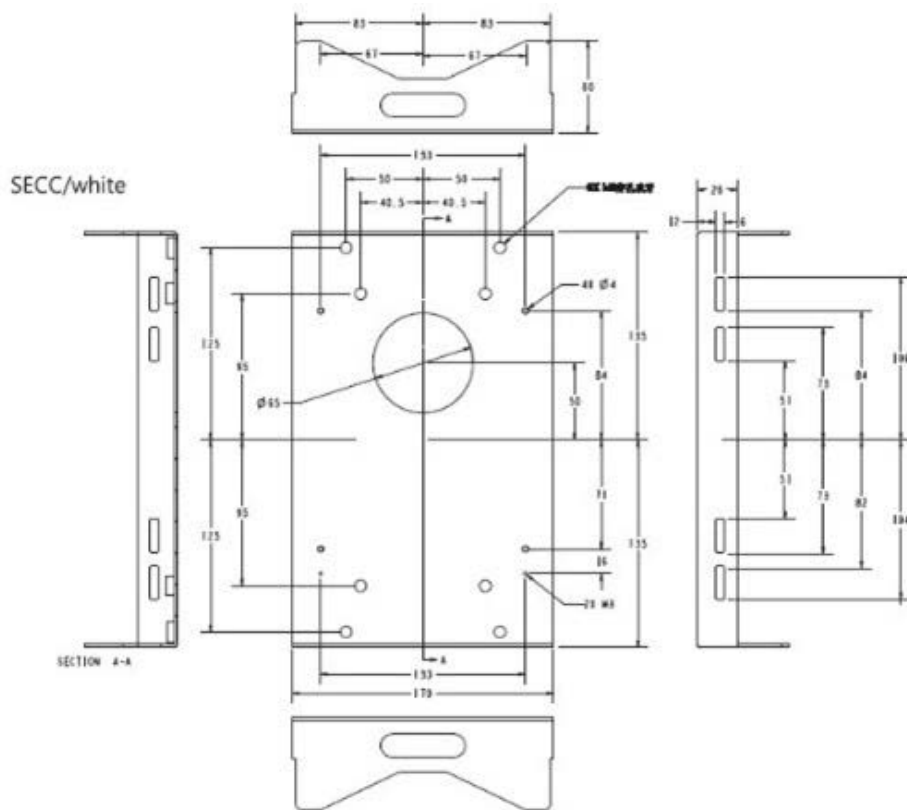
Order Code

Dimensions

Mx-M-SD-C



Mx-M-SD-P



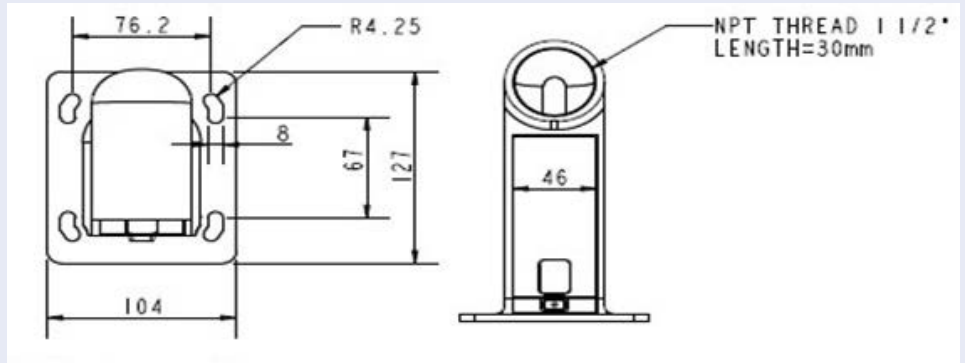
Technical Specifications

Accessories for Speed Dome and Vandal Turret Cameras

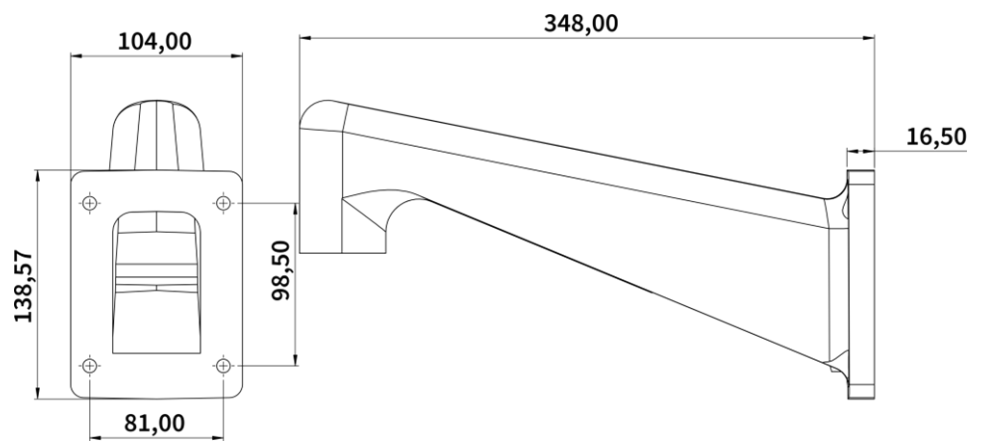
Order Code

Dimensions

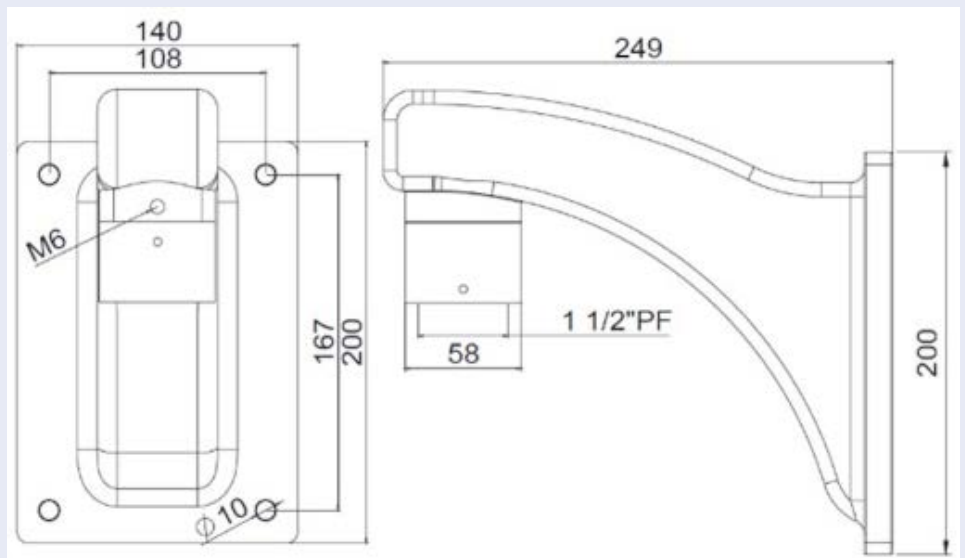
Mx-M-SD-W



Mx-M-SD-WL



MX-M-SD-WM



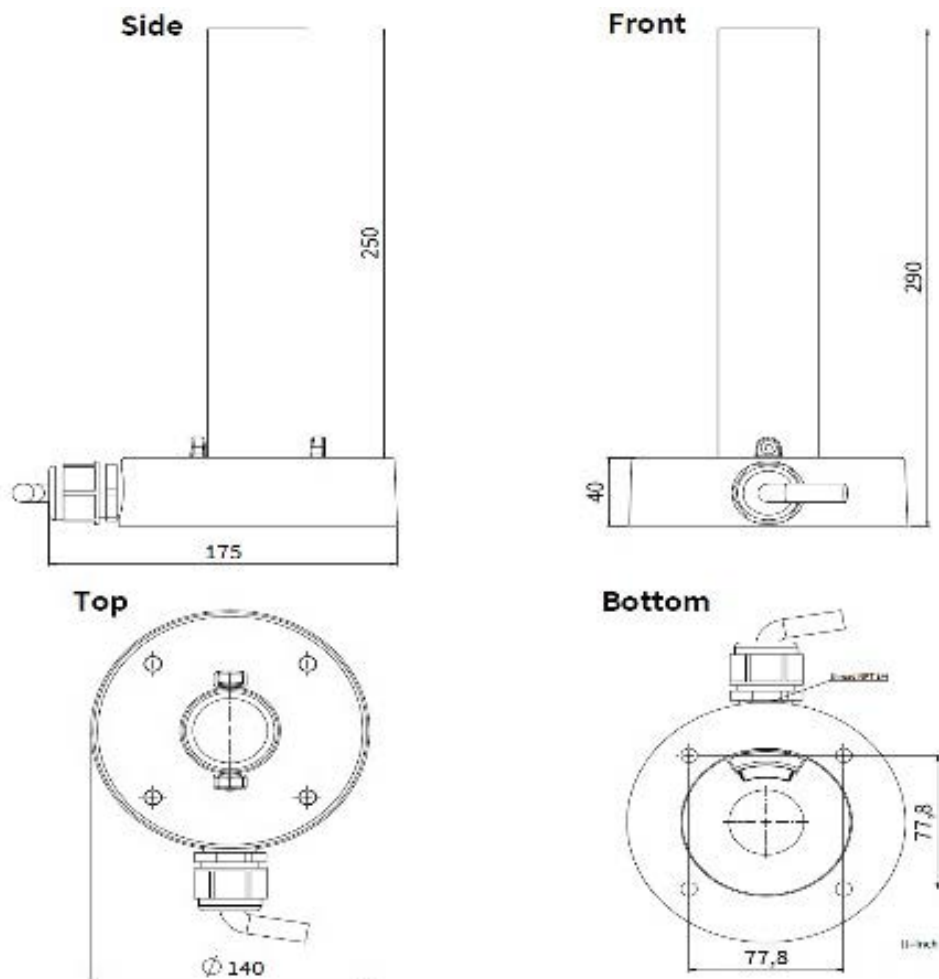
Technical Specifications

MOBOTIX MOVE Accessories

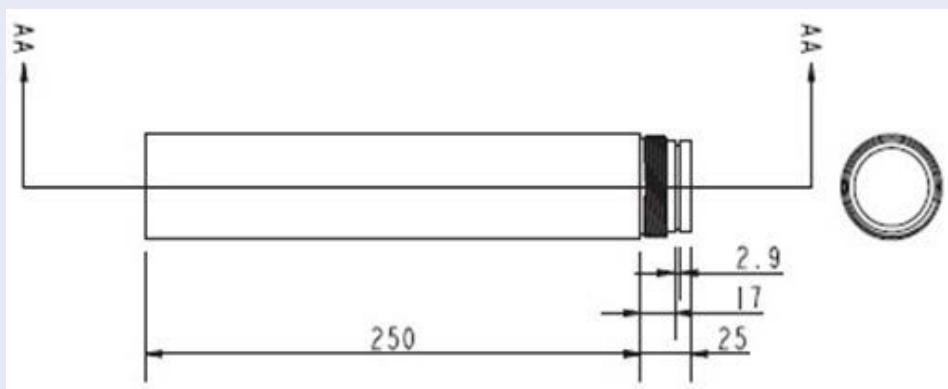
Order Code

MX-M-SD-PM

Dimensions



MX-M-SD-PMEXT

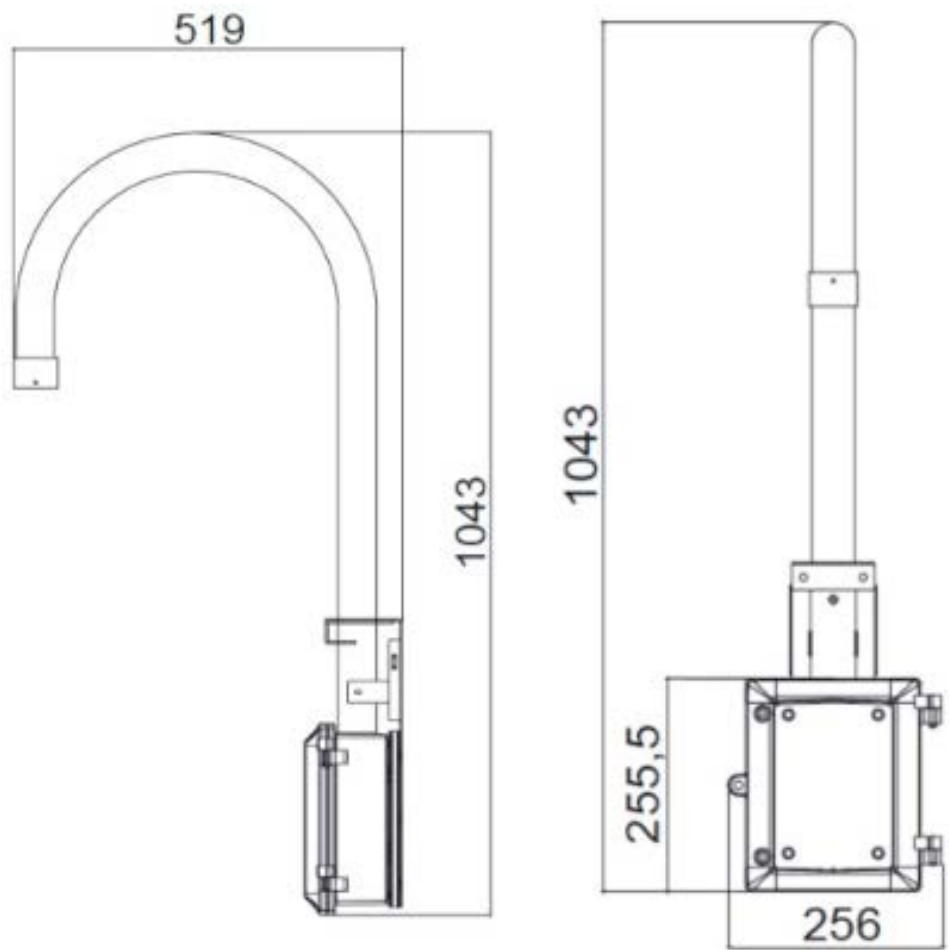


Technical Specifications
Accessories for Speed Dome and Vandal Turret Cameras

Order Code

MX-M-SD-GN

Dimensions

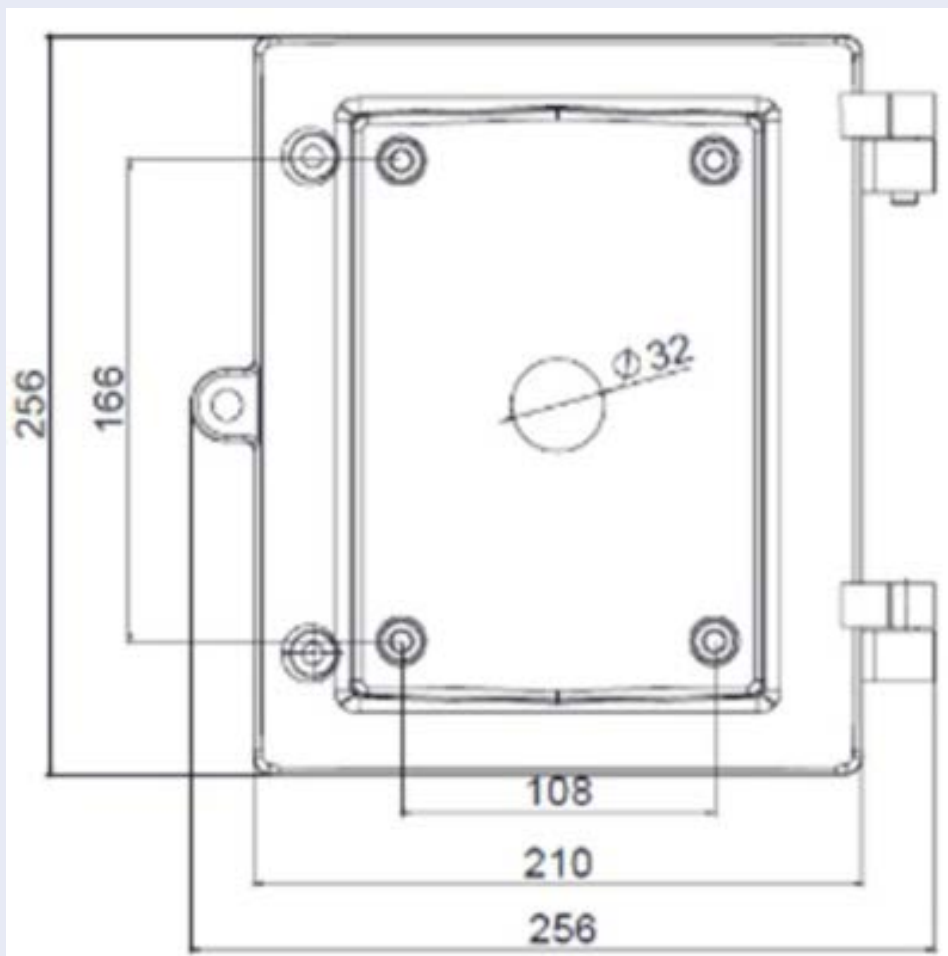


Technical Specifications
MOBOTIX MOVE Accessories

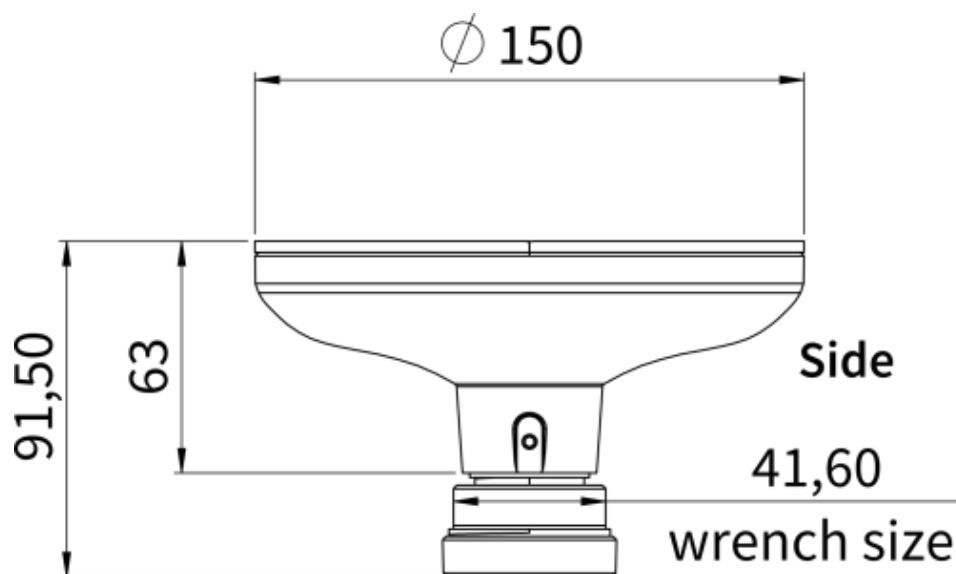
Order Code

Dimensions

MX-M-SD-WMJB



Mx-M-VT-AP



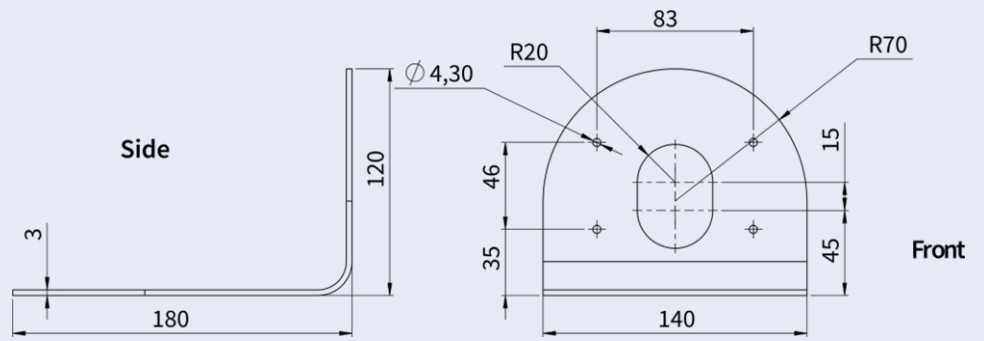
Technical Specifications

Accessories for Speed Dome and Vandal Turret Cameras

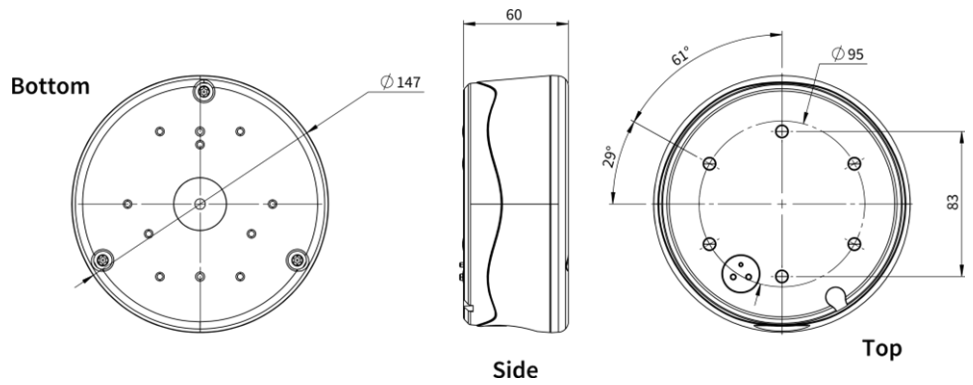
Order Code

Mx-M-VT-WM



Dimensions



Mx-M-VT-JB



Accessories for Vandal Dome Cameras

Picture/ Order Code	Description	Compatible Products	Material/ Color	Weight
 <p data-bbox="236 1064 373 1093">Mx-M-VD-C</p>	<p data-bbox="533 479 890 600">Weatherproof corner mount for MOVE Vandal Dome cameras.</p>	<p data-bbox="898 479 1098 600">All MOVE Vandal Dome (VD) cameras.</p> <p data-bbox="898 622 1098 696">Requires use of Mx-M-VD-W.</p>	<p data-bbox="1117 479 1238 600">SPCC steel, hammer-blow painted</p> <p data-bbox="1117 622 1238 645">RAL9003</p>	<p data-bbox="1337 479 1417 508">2.0 kg</p>
 <p data-bbox="236 1713 373 1742">Mx-M-VD-P</p>	<p data-bbox="533 1128 890 1249">Weatherproof pole mount for MOVE Vandal Dome cameras.</p>	<p data-bbox="898 1128 1098 1249">All MOVE Vandal Dome (VD) cameras.</p> <p data-bbox="898 1272 1098 1346">Requires use of Mx-M-VD-W.</p>	<p data-bbox="1117 1128 1310 1249">Zinc-galvanized SECC steel, powder-coated</p> <p data-bbox="1117 1272 1238 1294">RAL9003</p>	<p data-bbox="1337 1128 1417 1158">0.7 kg</p>




Technical Specifications

Accessories for Vandal Dome Cameras

Picture/ Order Code	Description	Compatible Products	Material/ Color	Weight
 <p style="text-align: center;">Mx-M-VD-W</p>	Weatherproof wall mount for MOVE Vandal Dome cameras (2-piece set of wall mount and pendant cap).	All MOVE Vandal Dome (VD) cameras. Can be combined with Mx-M-VD-C or Mx-M-VD-P.	Wall Mount: Die-cast ADC12 aluminium alloy, hammer blow-painted RAL9003 Pendant cap: polycarbonate RAL9003	1.4 kg
 <p style="text-align: center;">Mx-M-VD-IC</p>	Indoor in-ceiling mount for MOVE Vandal Dome cameras.	All MOVE Vandal Dome (VD) cameras.	Zinc-galvanized SECC steel, powder-coated RAL9003	0.8 kg
 <p style="text-align: center;">Mx-A-VD-DCS</p>	Clear replacement dome for MOVE Vandal Dome cameras.	All MOVE Vandal Dome (VD) cameras.	Ring: Die-cast ADC12 aluminium alloy, powder-coated RAL9003 Dome: Polycarbonate, clear	0.21 kg

Technical Specifications

MOBOTIX MOVE Accessories

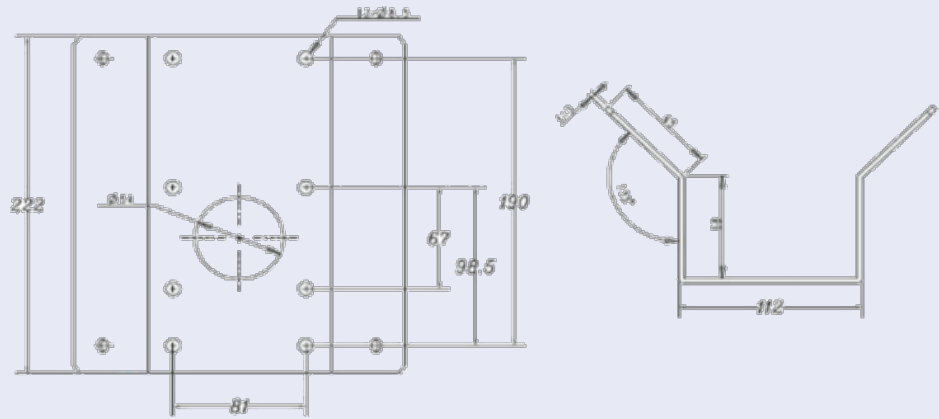
Picture/ Order Code	Description	Compatible Products	Material/ Color	Weight
 <p>Mx-A-VD-DCT</p>	Tinted replacement dome for MOVE Vandal Dome cameras.	All MOVE Vandal Dome (VD) cameras.	Ring: Die-cast ADC12 aluminium alloy, powder-coated RAL9003 Dome: Polycarbonate, tinted	0.25 kg
 <p>Mx-A-VD-DBC-EC</p>	Clear EverClear-coated replacement dome for MOVE Vandal Dome cameras.	All MOVE Vandal Dome (VD) cameras.	Ring: Die-cast ADC12 aluminium alloy, powder-coated RAL9003 Dome: Polycarbonate, clear	0.21 kg
 <p>Mx-A-VD-DBT-EC</p>	Tinted EverClear-coated replacement dome for MOVE Vandal Dome cameras.	All MOVE Vandal Dome (VD) cameras.	Ring: Die-cast ADC12 aluminium alloy, powder-coated RAL9003 Dome: Polycarbonate, tinted	0.25 kg

Dimensions

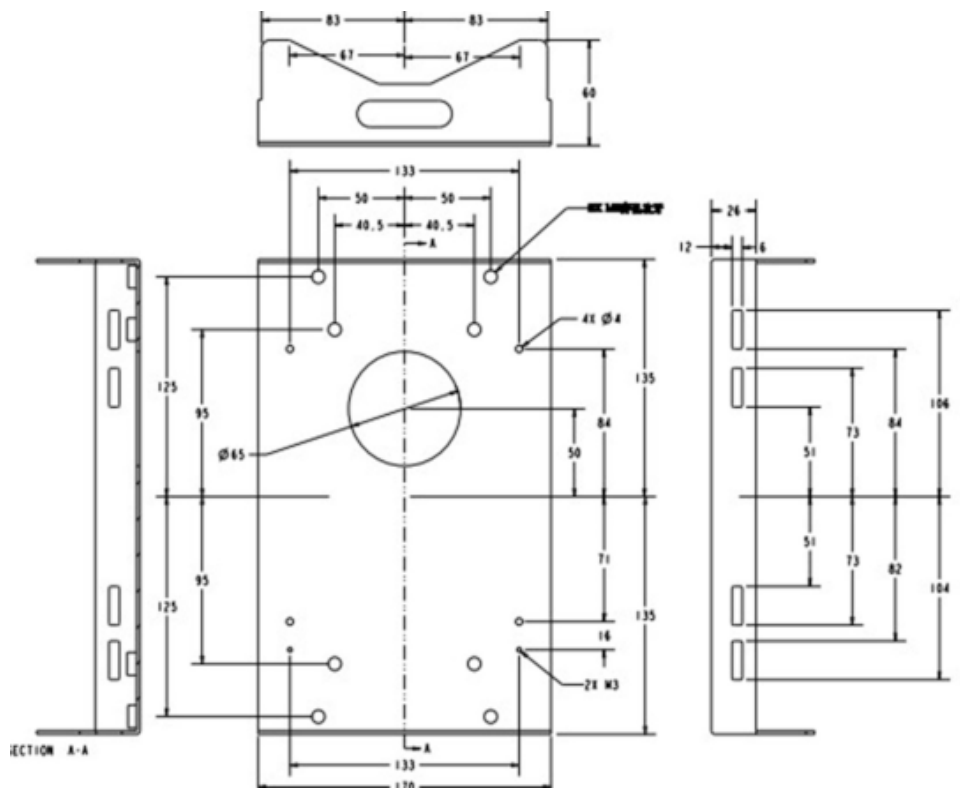
Order Code

Dimensions

Mx-M-VD-C



Mx-M-VD-P



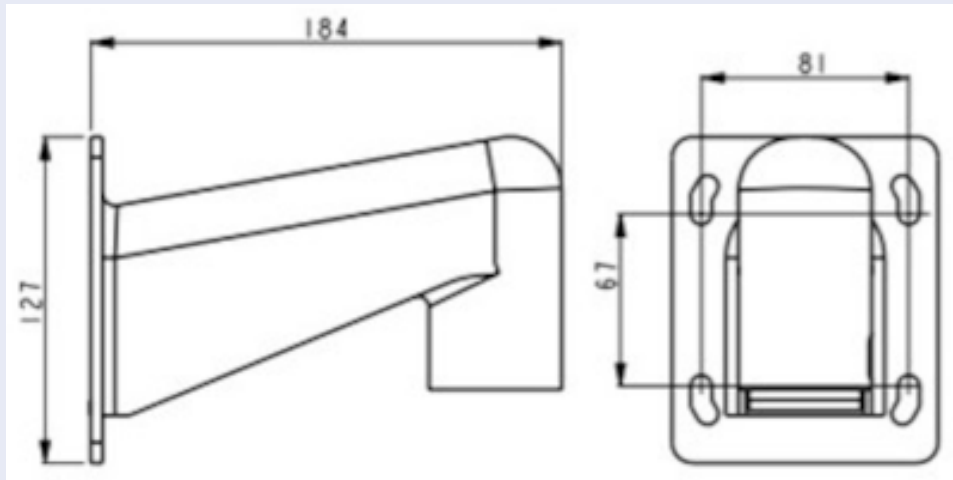
Technical Specifications

MOBOTIX MOVE Accessories

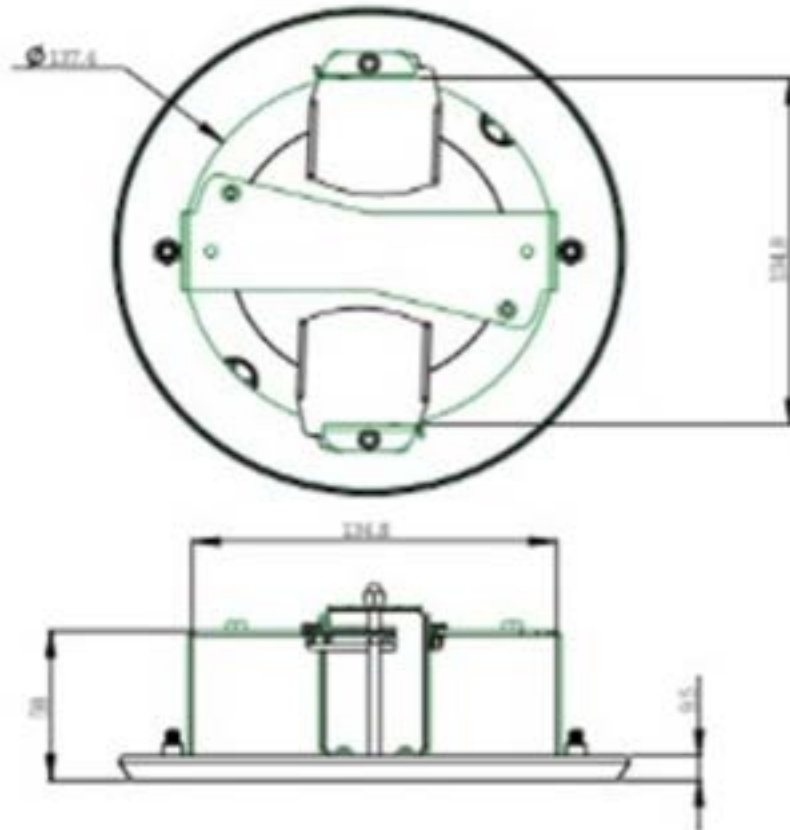
Order Code

Dimensions

Mx-M-VD-W



Mx-M-VD-IC





Accessories for All Cameras

Picture/ Order Code	Description	Compatible Products	Material/ Color	Weight
 <p data-bbox="245 1041 517 1070">MX-NPA-UPOE1A-60W</p>	<p data-bbox="608 488 935 517">UPoE Power Injector 60W.</p> <p data-bbox="608 539 986 1256">PoE++ 60W Network Power injector • AC Input Voltage: 100 to 240 VAC (50 to 60Hz) • AC Input Current: 1.5A @100-240 VAC • Operating Ambient Temperature: • -10° to 40°C @60W • -10° to 50°C, humidity 10 to 90% @30W • IEEE 802.3bt compliant • Output power of 60W over 4-pairs • Supports 10/100/1000Base-T applications • Plug-and-play installation • Full Protection OVP, OCP• Supports 10/100/1000Base-T applications.</p>	All cameras.	Plastic housing, black	0.45 kg
 <p data-bbox="236 1749 528 1778">Mx-NPA-PoE1A-60W-BT</p>	<p data-bbox="608 1288 999 1361">PoE++ Power Network Injector 60 Watt.</p> <p data-bbox="608 1384 999 1877">AC Input Voltage: 100 to 240 VAC (50 to 60Hz) • AC Input Current: 1.5A @100-240 VAC • Operating Ambient Temperature: • -10° to 40°C @60W • -10° to 50°C, humidity 10 to 90% @30W • IEEE 802.3bt compliant • Output power of 60W over 4-pairs • Supports 10/100/1000Base-T applications • Plug-and-play install-</p>	All cameras.	Plastic housing, black	0.318 kg

Technical Specifications


MOBOTIX MOVE Accessories

Picture/ Order Code	Description	Compatible Products	Material/ Color	Weight
	<p>ation • Full Protection OVP, OCP • Additional required power cord C14-type not included • Warranty: 1 year.</p>			
Mx-A-ETP1A-2601-SET	<p>Media converter set Ethernet (PoE+) – Twisted-Pair. Complete set consisting of two two-wire transmit/receive units for establishing an Ethernet transmission path via twisted-pair cables. • Transmission of Ethernet and PoE+ power supply via two-wire line according to IEEE1901. • Simple connection of 10/100 Mbps Ethernet end devices • Max. 95 Mbps transmission bandwidth, range up to 600 m/656 yd for data only, 300 m/328 yd for PoE depending on the quality of the twisted-pair link • 128 bit AES network data encryption • Power supply 2-wire transmitter (Tx) and receiver (Rx) as well as end device via PoE+ network switch or external power supply 56VDC / 1.2A (not included!) • Connected end devices are supplied via PoE switch IEEE802.3af(PoE), IEEE802.3at (PoE+), UPoE up to 60W (requires ext. power supply unit). • Status LEDs (data, power supply, data</p>	<p>All cameras. Requires Mx-A-ETP1A-2601-POW.</p>	<p>Plastic hous- ing, black</p>	0.368 kg

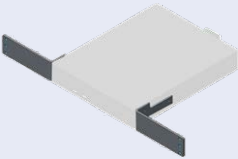
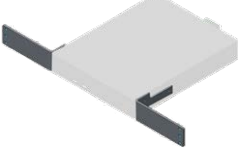
Picture/ Order Code	Description	Compatible Products	Material/ Color	Weight	
	<p>link, PoE) • Integrated Over-voltage protection (IEC 61000-4-5 4kV(1.2 / 50us), 2kA(8 / 20us)) • Power Supply: TX: T-Linx or DC12V~57V, RX: PoE Switch or DC48V~57V • Operational temperature: -20 to 60°C • Dimensions: 80.4(L) x 61.6(W) x 24(H)mm • Weight: RX/TX: 102g • Warranty: 2 years</p>				
	<p>Plug-type power supply for Mx-A-ETP1A-2601-SET. Output: 57V DC +/-3% / 1.2 A • Input: 90-260V AC (47-63Hz) • 68,4 Watt • Operating Temperature: 0-40°C/32-122°F</p>	<p>Mx-A-ETP1A-2601-SET</p>	<p>Plastic housing, black</p>	<p>0.49 kg</p>	
<p>Mx-A-ETP1A-2601-POW</p>		<p>MOBOTIX USB Keyboard with PTZ Joystick & Jog-Shuttle. USB control panel for operating MOBOTIX MxMC 2.6 and higher and MOBOTIX HUB incl. Control of software PTZ and motorized PTZ cameras and pan/tilt devices • Integrated 3-axis joystick • Integrated jog shuttle • 38 control keys with backlight predefined for MxMC functions or freely definable for MOBOTIX HUB • Integrated</p>	<p>All cameras. Requires Windows or macOS computer with USB 2.0 or better.</p>	<p>Plastic housing, black</p>	<p>1.9 kg</p>
<p>Mx-A-KBD1A-PTZ-JOG</p>					

Technical Specifications

MOBOTIX MOVE Accessories

Picture/ Order Code	Description	Compatible Products	Material/ Color	Weight
	alarm buzzer • Suitable for operation as HID device on MOBOTIX VMS with Windows and MAC based operating systems via USB 2.0 • Suitable for right- and left-handed users • Power supply: USB, max. 350 mA • Operating temperature: 0°–45°C/32–113 °F.			
 MX-SWITCH1	MOBOTIX network switch for DIN (top-hat) rail mounting. 5x RJ45 port with 100 MBit/s (1x uplink, 4x PoE+ with max. 75 W). Supply: 48 V DC, max. 75 W. Simplified cabling for door stations due to available connectivity for anti-theft protection, door opener and MxBus. MxBus, anti-theft protection, door and lock contact can be connected via separate wires of Ethernet cable.	All cameras.	Plastic housing, gray	0.31 kg

Accessories for MOVE NVR Products

Picture/ Order Code	Description	Compatible Products	Material/ Color	Weight
 Mx-M-NVR16-RM	2x metal mounting brackets for installing MOBOTIX MOVE NVR 16CH in a 19" rack.	MOVE NVR 16CH	Steel, black	0.447 kg
 Mx-M-NVR8-RM	2x metal mounting brackets for installing MOBOTIX MOVE NVR 8CH in a 19" rack.	MOVE NVR 8CH	Steel, black	0.544 kg

MOBOTIX

BeyondHumanVision

EN_01/25

MOBOTIX AG • Kaiserstrasse • D-67722 Langmeil • Tel.: +49 6302 9816-103 • sales@mobotix.com • www.mobotix.com

MOBOTIX is a trademark of MOBOTIX AG registered in the European Union, the U.S.A., and in other countries. Subject to change without notice. MOBOTIX do not assume any liability for technical or editorial errors or omissions contained herein. All rights reserved. © MOBOTIX AG 2019