

# Quick Installation

## MOBOTIX MOVE 2MP Low-Light Video Analytics Speed Dome Mx-SD2A-230-LL-VA

© 2024 MOBOTIX AG

### NOTE!

This guide is only valid for **installing and connecting** the 2MP Low-Light Video Analytics Speed Dome. For more information on the camera, please refer to the other documents (see [Further Reading, p. 8](#)).

### Important Installation Notes

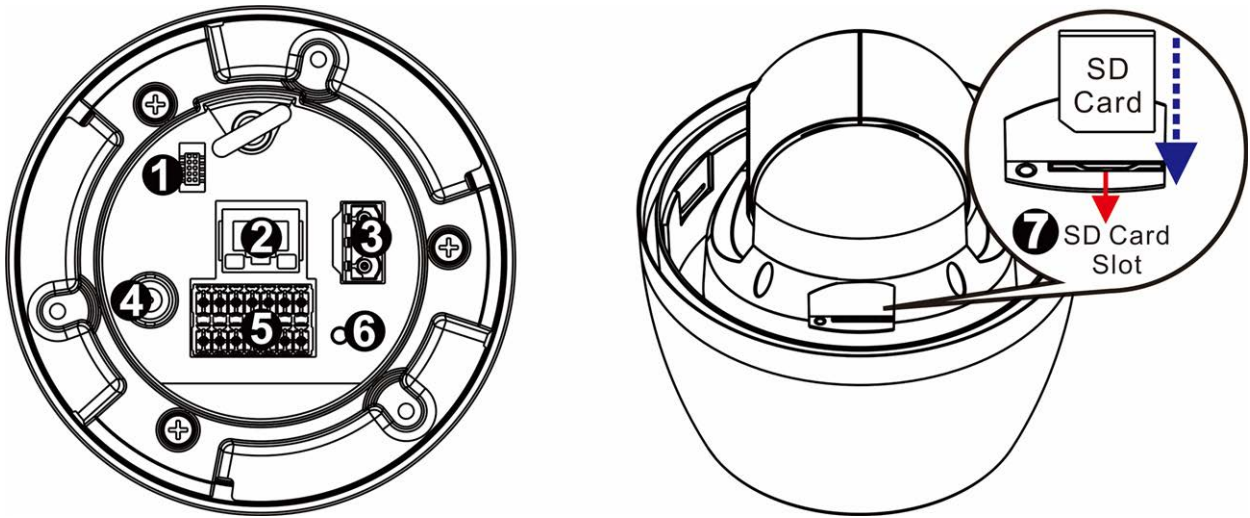
- This camera must be installed by qualified personnel and the installation should conform to all local codes.
- This product must not be used in locations exposed to the dangers of explosion.
- Do not use this product in a dusty environment.
- Protect this product from moisture or water entering the housing.
- Install this product as outlined in this document. A faulty installation can damage the product!
- Do not replace batteries of the camera. If a battery is replaced by an incorrect type, the battery can explode.
- This equipment is not suitable for use in locations where children are likely to be present.
- External power supplies must comply with the Limited Power Source (LPS) requirements and share the same power specifications with the camera.
- When using a power adapter, the power cord shall be connected to a socket-outlet with proper ground connection.
- To comply with the requirements of EN 50130-4 regarding the power supply of alarm systems for 24/7 operation, it is highly recommended to use an uninterruptible power supply (UPS) for backing up the power supply of this product.

## Quick Installation 2MP Low-Light Video Analytics Speed Dome

**NOTE!** Observe the [MOBOTIX MOVE Installation Hints](#) document to ensure optimum performance of the camera features.

**NOTE!** To ensure that the unit is not affected by vibration, twisting, etc. after adjusting the camera, properly tighten all mounting screws.

### Camera Connectors



No.	Connector	Definition
1	Console Connector	This connector is used to burn firmware into the camera when the camera is returned for repair/maintenance. Please contact the camera manufacturer for further information.
2	RJ-45 Port	For network and PoE+ (Class 4) connections
3	Power Connector (AC24V)	AC24V power connection (see <a href="#">Connecting Power, p. 3</a> below)
4	BNC*	For analog video output
5	Audio/Alarm I/O & RS485 Connector**	Audio/Alarm I/O & RS485 connection (see <a href="#">Audio/Alarm I/O &amp; RS485 Connector, p. 4</a> below)

No.	Connector	Definition
6	Reset Button	Press the button with a proper tool for at least 20 seconds to reset the system to factory defaults.
7	SD Card Slot	Open the dome cover to reveal the SD card slot. Use an SD card adapter for microSD cards. Insert the SD card into the slot to store videos and snapshots. Do not remove the SD card when the camera is powered on.

\*Contact the manufacturer for a compatible BNC cable.

\*\*Do NOT connect an external power supply to the alarm I/O connector of the camera.

---

**NOTE!** To purchase a power adapter, please contact MOBOTIX for further information.

### microSD Card Slot/Reset Button

**CAUTION!** Always power down the camera before performing the following steps!

#### microSD Card Slot

**CAUTION!** Always power down the camera before performing the following steps!

Insert a microSD card into the card slot to store videos and snapshots.

**NOTE!**

- It is not recommended to record with the microSD card for 24/7 continuously, as it may not be able to support long term continuous data read/write. Contact the manufacturer of the microSD card for information regarding the reliability and the life expectancy.
- Remember to format a new microSD card as shown in [Formatting Storage Media](#) below.

#### Reset Button

Press the reset button with a proper tool for at least 20 seconds to restore the system.

### Connecting Power

#### Using Power over Ethernet (PoE)

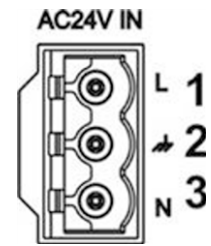
Use a PoE+ switch (Class 4) and connect the Ethernet cable to the RJ-45 port of the camera.

#### Using AC

To power up the camera, connect the AC power adapter to the power connector of the camera and the power outlet.

### Diagram and Pin Definition for AC24V Power Connection

Pin	Definition
1	AC24V L
2	GND
3	AC24V N



### Ethernet Cable Connection

Connect one end of the Ethernet cable to the RJ-45 connector of the camera and plug the other end of the cable into the network switch or PC.

#### NOTE!

- The length of the Ethernet cable should not exceed 100 m/300 ft.
- Check the status of the link indicator and the activity indicator LEDs of the switch. If the LEDs are unlit, please check the LAN connection.
- In some cases, an Ethernet crossover cable may be needed when connecting the camera directly to the PC.

### Ethernet Connector LEDs



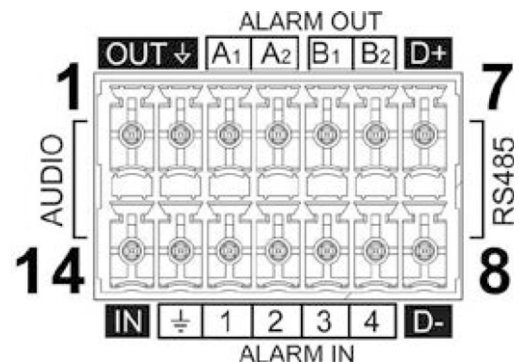
- Green **Link** LED indicates good network connection.
- Orange **Activity** LED flashes to indicate network activity.

**NOTE!** The ITE is to be connected only to PoE networks without routing to the outside plant or equivalent description.

### Audio/Alarm I/O & RS485 Connector

Please refer to the diagram and pin definition tables below for using the audio/alarm I/O & RS485 connection.

Pin	Definition
1	Audio Out
2	GND (Audio I/O)
3	Alarm Out A1
4	Alarm Out A2
5	Alarm Out B1



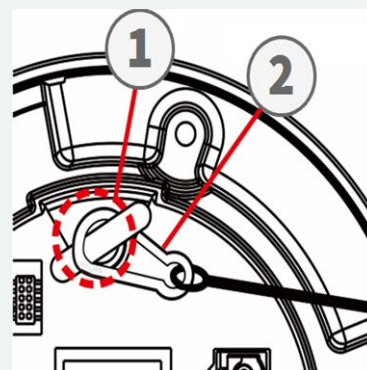
Pin	Definition
6	Alarm Out B2
7	RS485 D+ (optional)
8	RS485 D- (optional)
9	Alarm In 4
10	Alarm In 3
11	Alarm In 2
12	Alarm In 1
13	GND (Alarm I/O and RS485)
14	Audio In

### Using a Pendant or Wall Mount

#### CAUTION!

For safety reasons, it is recommended to hook up the camera's anti-drop ring ① to the anti-drop cable ② of the pendant/wall mount when installing the camera.

For more information about installing the mounts and the anti-drop cable, please see the corresponding Quick Installation document available at [www.mobotix.com](http://www.mobotix.com) > [Support](#) > [Download Center](#) > [Marketing & Documentation](#) > [Manuals](#) in the **MOBOTIX MOVE Accessories** section.



### Accessing the Camera

The 2MP Low-Light Video Analytics Speed Dome supports all current browsers without requiring any additional plug-ins or add-ons (e.g. for H.264/H.265/MJPEG support).

#### Camera Login

The default IP address of the camera is: 10.x.x.x. By default, the camera starts as DHCP client and automatically tries to get an IP address from a DHCP server.

1. Enter the camera's IP address in the URL bar of the web browser and hit "Enter".
2. Enter the default username (**admin**) and password (**meinsm**).

**NOTE!** User names and passwords are case sensitive.

## Quick Installation 2MP Low-Light Video Analytics Speed Dome

- You will be prompted to set a new admin user password.

**NOTE!** The password can have between 6 and 14 characters (at least one digit, no special characters allowed).

- After setting a new password, you will be prompted to log in again. Remember to use the new password.

### Browser-Based Viewer

The main page of the IP camera user interface is shown as the figure below. The function buttons vary depending on the camera model.

The screenshot displays the MOBOTIX MOVE browser-based viewer interface. At the top, there are navigation tabs: Home, System, Streaming, Camera, PTZ, and Logout. A Language dropdown menu is set to English, and the Video Time is 2022/08/03 09:14. Below the navigation is a Video Stream Selection dropdown set to Stream 1. The main video feed shows a train station with several high-speed trains. Below the video feed are three rows of control buttons: ZOOM (WIDE, TELE, 11x zoom, x11), FOCUS (NEAR, FAR, AUTO, MANUAL, ZOOM), and IRIS (CLOSE, OPEN, RESET). To the right of the video feed is a Stream Information panel showing Stream 1 (MJPEG bitrate: low compression, high quality) and Stream 2 (H264 bitrate: 4096 kbps). Below the Stream Information panel are several icons for Open Control Panel, Video Quality Information, Full Screen, Talk, Listen, Snapshot, Pause Video, Record Video, and Manual Trigger.

### Formatting Storage Media

After inserting a new or replacing a used storage medium, make sure to format the medium so the camera can use it to record video streams.

- Connect to the camera.
- Open **System > Storage Management > <storage media type>**.

3. In the **Device Setting** section, click on **Format** to start the formatting process.

Once formatting has finished, the camera can use the storage medium for recording.

### Camera Maintenance

It is recommended that you perform the following maintenance tasks at regular intervals to keep the 2MP Low-Light Video Analytics Speed Dome in good working condition:

- Clean the dome using plain water and a soft cloth.

**CAUTION!** Do not use any detergents or alcohol to prevent damaging the coating!

- Check the mounting and make sure that all screws are properly tightened to prevent the camera from falling down.
- When opening the camera, add a silica gel dry pack to prevent condensation on the inside of the dome.



## Further Reading

[Manuals and Quick Installation documents](#)



[Video Analytics Manual](#)



[Technical Specifications](#)



[MOBOTIX MOVE Installation Hints](#)



[MOBOTIX Community](#)





# MOBOTIX

BeyondHumanVision

EN\_10/24

MOBOTIX AG • Kaiserstrasse • D-67722 Langmeil • Tel.: +49 6302 9816-103 • sales@mobotix.com • www.mobotix.com

MOBOTIX is a trademark of MOBOTIX AG registered in the European Union, the U.S.A., and in other countries. Subject to change without notice. MOBOTIX do not assume any liability for technical or editorial errors or omissions contained herein. All rights reserved. © MOBOTIX AG 2018