



# Technical Specifications

## **MOBOTIX MOVE Accessories**

A wide range of accessories is available in the MOBOTIX MOVE product portfolio. These accessories can be used for different cameras and can be mounted for almost any application setup, both indoors and outdoors.

 HEVC Advance™

BeyondHumanVision

**MOBOTIX** MOVE

# Technical Specifications

- Accessories for Bullet Cameras ..... 3**
- Accessories for Vandal Dome Cameras ..... 5**
- Accessories for Speed Dome Cameras .....10**
- Accessories for Multisensor Cameras .....20**
- Accessories for Vandal Turret Cameras .....24**
- Accessories for All Cameras .....26**

## Accessories for Bullet Cameras

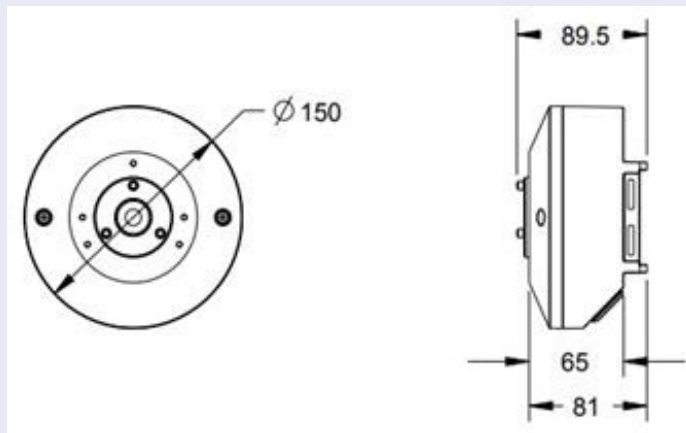
Order Code/ Picture	Description	Compatible Products	Material/ Color	Weight
Mx-M-BC-P 	Weatherproof pole mount for MOVE Bullet cameras (IP66).	All MOVE Bullet (BC) cameras except Mx-BC1A-2-IR.	Aluminum, RAL9003	1.0 kg
Mx-M-BC-W 	Weatherproof wall mount for MOVE Bullet cameras (IP66).	All MOVE Bullet (BC) cameras except Mx-BC1A-2-IR.	Aluminum, RAL9003	0.84 kg
Mx-A-VB-FGK-EC 	<b>EverClear-coated</b> front glass for MOVE Vandal Bullet cameras.	All MOVE Vandal Bullet (VB) cameras <b>from Nov. 2021</b> .	Aluminum, glass, rubber	0.033 kg

## Dimensions

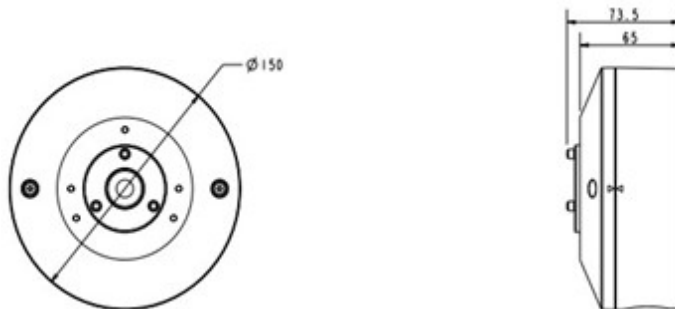
### Order Code

### Dimensions



Mx-M-BC-P



Mx-M-BC-W



## Accessories for Vandal Dome Cameras

Order Code/ Picture	Description	Compatible Products	Material/ Color	Weight
Mx-M-VD-C 	Weatherproof corner mount for MOVE Vandal Dome cameras.	All MOVE Vandal Dome (VD) cameras.  Requires use of Mx-M-VD-W.	Steel, RAL9003	2.0 kg
Mx-M-VD-P 	Weatherproof pole mount for MOVE Vandal Dome cameras.	All MOVE Vandal Dome (VD) cameras.  Requires use of Mx-M-VD-W.	Steel zinc-coated, RAL9003	0.7 kg

## Technical Specifications

### Accessories for Vandal Dome Cameras

---

Order Code/ Picture	Description	Compatible Products	Material/ Color	Weight
Mx-M-VD-W 	Weatherproof wall mount for MOVE Vandal Dome cameras (2-piece set of wall mount and pendant cap).	All MOVE Vandal Dome (VD) cameras. Can be combined with Mx-M-VD-C or Mx-M-VD-P.	Aluminum (wall mount) and polycarbonate (pendant cap), RAL9003	1.4 kg
Mx-M-VD-IC 	Indoor in-ceiling mount for MOVE Vandal Dome cameras.	All MOVE Vandal Dome (VD) cameras.	Steel zinc-coated, RAL9003	0.8 kg

---

Order Code/ Picture	Description	Compatible Products	Material/ Color	Weight
Mx-A-VD-DCS 	Clear replacement dome for MOVE Vandal Dome cameras.	All MOVE Vandal Dome (VD) cameras.	Polycarbonate, clear	0.21 kg
Mx-A-VD-DCT 	Tinted replacement dome for MOVE Vandal Dome cameras.	All MOVE Vandal Dome (VD) cameras.	Polycarbonate, tinted	0.25 kg

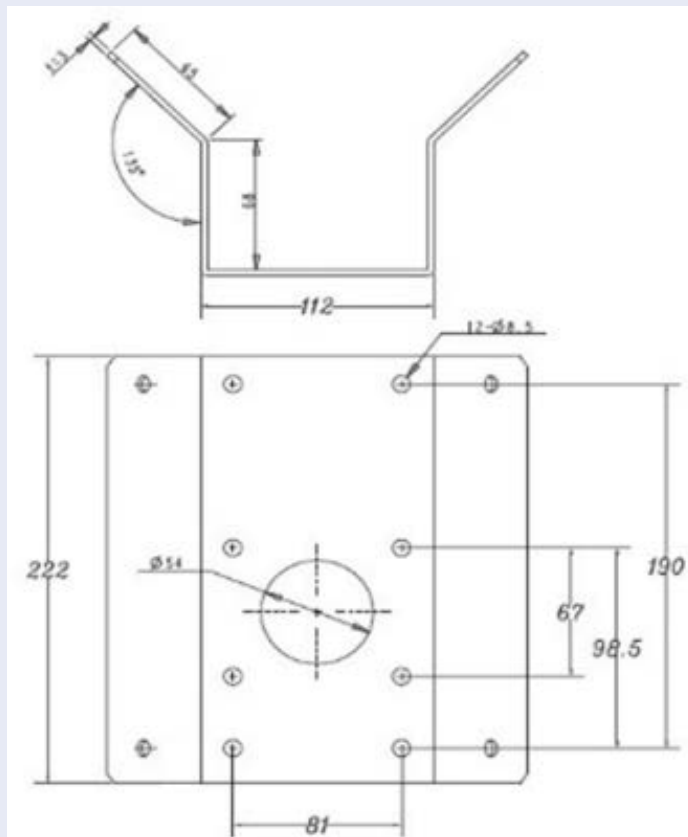
---

## Dimensions

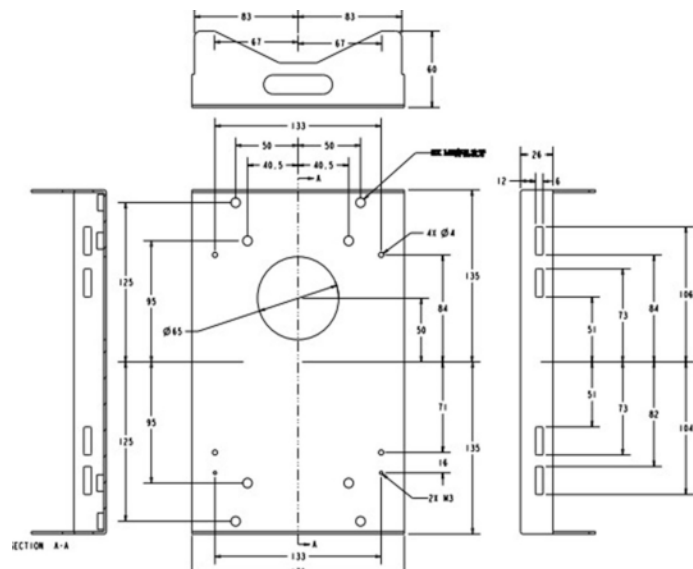
Order Code

Dimensions

Mx-M-VD-C



Mx-M-VD-P

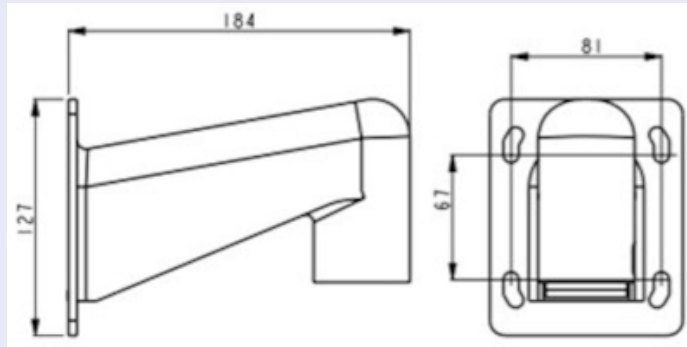




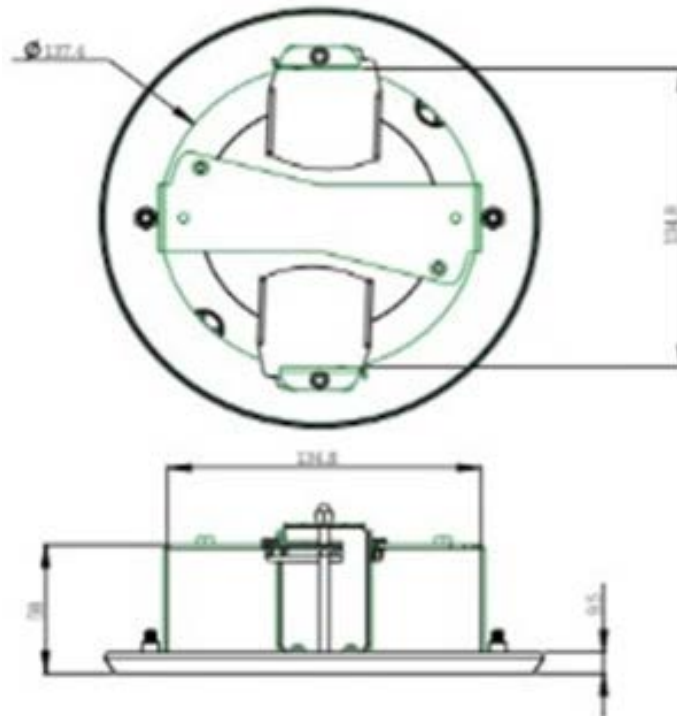
**Order Code**

**Dimensions**

Mx-M-VD-W

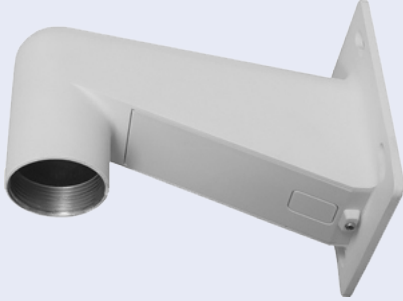




Mx-M-VD-IC



## Accessories for Speed Dome Cameras



Order Code/ Picture	Description	Compatible Products	Material/ Color	Weight
Mx-M-SD-C 	Weatherproof corner mount for MOVE Speed Dome cameras.	All MOVE Speed Dome (SD) cameras. Requires Mx-M-SD-W or Mx-M-SD-WL. <b>CAUTION!</b> Cannot be used with MX-M-SD-WM!	Aluminum, RAL9003	2.17 kg
Mx-M-SD-P 	Weatherproof pole mount for MOVE Speed Dome cameras.	All MOVE Speed Dome (SD) cameras. Requires Mx-M-SD-W or Mx-M-SD-WL. <b>CAUTION!</b> Cannot be used with MX-M-SD-WM!	Aluminum, RAL9003	1.58 kg


Order Code/ Picture	Description	Compatible Products	Material/ Color	Weight
<p data-bbox="320 309 459 336">Mx-M-SD-W</p> 	Weatherproof wall mount for MOVE Speed Dome cameras.	All MOVE Speed Dome (SD) cameras. Can be combined with Mx-M-SD-C or Mx-M-SD-P.	Aluminum, RAL9003	0.84 kg
<p data-bbox="312 719 467 745">Mx-M-SD-WL</p> 	Extended weatherproof wall mount for MOVE Speed Dome cameras.	All MOVE Speed Dome (SD) cameras. Can be combined with Mx-M-SD-C or Mx-M-SD-P.	Aluminum, RAL9003	1.5 kg
<p data-bbox="309 1059 470 1086">MX-M-SD-WM</p> 	Weatherproof wall mount for MOVE Speed Dome cameras on top of wall mount junction box MX-M-SD-WMJB.	All MOVE Speed Dome (SD) cameras.	Aluminum, RAL9003	1.3 kg

**CAUTION!**  
Only to be used with MX-M-SD-WMJB (wall mount is mounted on top of junction box).

## Technical Specifications

### Accessories for Speed Dome Cameras

Order Code/ Picture	Description	Compatible Products	Material/ Color	Weight
<p data-bbox="320 293 520 322">MX-M-SD-WMJB</p> 	<p data-bbox="655 293 906 416">Weatherproof wall mount junction box (IP66)</p> <p data-bbox="655 439 906 517">for MOVE Speed Dome cameras.</p> <p data-bbox="655 539 906 887">Allows for comfortable cabling and installation of additional HW equipment such as PoE Injectors, lighting protection, etc.</p>	<p data-bbox="922 293 1098 416">All MOVE Speed Dome (SD) cameras.</p> <p data-bbox="922 439 1098 741">To be used as base for Mx-M-SD-WM (wall mount is mounted on top of junction box).</p> <p data-bbox="922 763 1098 976">Also suitable for MX-M-SD-PM (base of mount covers junction box).</p>		4.8 kg
<p data-bbox="339 1010 499 1039">MX-M-SD-PM</p> 	<p data-bbox="655 1010 906 1357">Pendant mount kit incl. base mount, 25 cm/10 in pendant pipe, installation materials and safety wires 50 cm/20 in &amp; 1 m/39 in.</p>	<p data-bbox="922 1010 1098 1133">All MOVE Speed Dome (SD) cameras.</p> <p data-bbox="922 1155 1098 1458">Can be combined with MX-M-SD-WMJB (base of mount covers junction box).</p>	Aluminum, RAL9003	1.58 kg

<b>Order Code/ Picture</b>	<b>Description</b>	<b>Compatible Products</b>	<b>Material/ Color</b>	<b>Weight</b>
<p data-bbox="280 302 494 324">MX-M-SD-PMEXT</p> 	<p data-bbox="622 302 861 414">Extension pipe 25 cm/10 in for MX- M-SD-PM.</p>	<p data-bbox="877 302 1053 604">Extends MX- M-SD-PM; max. exten- ded total length is 1 m/39 in (3 extensions).</p>	<p data-bbox="1069 302 1228 369">Aluminum, RAL9003</p>	<p data-bbox="1292 302 1388 324">0.8 kg</p>

MX-M-SD-GN



Weatherproof parapet mount (goose-neck) (IP66) with integrated junction box for MOVE Speed Dome cameras.

Integrated junction box allows for comfortable cabling and installation of additional HW equipment such as PoE Injectors, lightning protection, etc.

14.8 kg

## Technical Specifications

### Accessories for Speed Dome Cameras

Order Code/ Picture	Description	Compatible Products	Material/ Color	Weight
Mx-A-SD-DCS 	Tinted replacement dome for MOVE Speed Dome cameras.	All MOVE Speed Dome (SD) cameras <b>except</b> SD-330, SD-340-IR, SD-540-IR, and SD-831-LIR.	Polycarbonate, tinted	0.3 kg
Mx-A-SD-DCT 	Clear replacement dome for MOVE Speed Dome cameras except SD-330 and SD-340-IR.	All MOVE Speed Dome (SD) cameras <b>except</b> SD-330, SD-340-IR, SD-540-IR, and SD-831-LIR.	Polycarbonate, clear	0.3 kg
Mx-A-SD-DBC-EC 	Clear <b>EverClear-coated</b> replacement dome for MOVE Speed Dome cameras except SD-330 and SD-340-IR.	All MOVE Speed Dome (SD) cameras <b>except</b> SD-330, SD-340-IR, SD-540-IR, and SD-831-LIR.	Polycarbonate, clear	0.58 kg

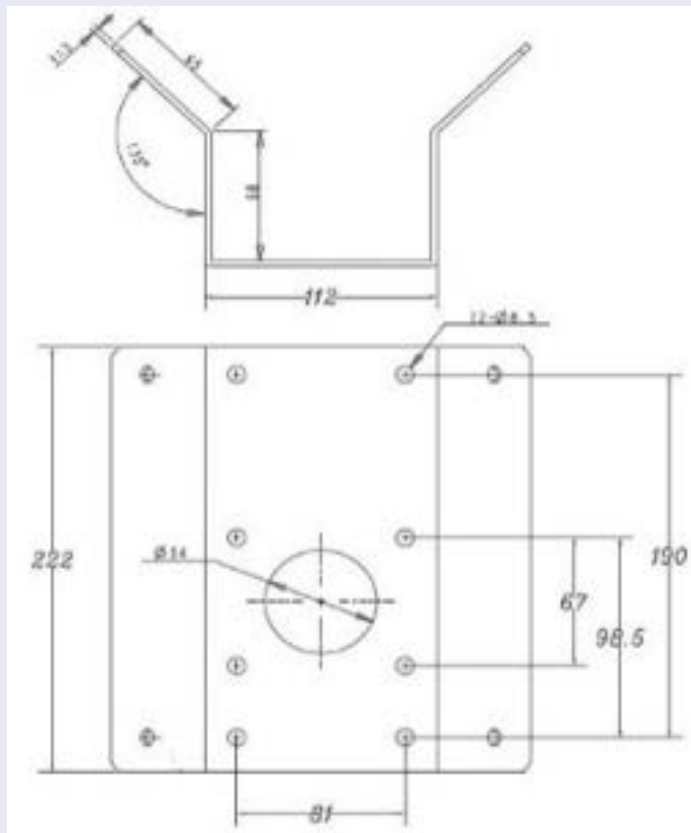
Order Code/ Picture	Description	Compatible Products	Material/ Color	Weight
MX-A-SD-DBT-EC 	Tinted <b>EverClear-coated</b> replacement dome for MOVE Speed Dome cameras.	All MOVE Speed Dome (SD) cameras <b>except</b> SD-330, SD-340-IR, SD-540-IR, and SD-831-LIR.	Polycarbonate, tinted	0.58 kg
Mx-A-VD-DCS 	Clear replacement dome for MOVE Speed Dome cameras.	MOVE Speed Dome (SD) cameras SD-330 and SD-340-IR <b>only</b> .	Polycarbonate, clear	0.21 kg
Mx-A-VD-DCT 	Tinted replacement dome for MOVE Speed Dome cameras.	MOVE Speed Dome (SD) cameras SD-330 and SD-340-IR <b>only</b> .	Polycarbonate, tinted	0.25 kg

## Dimensions

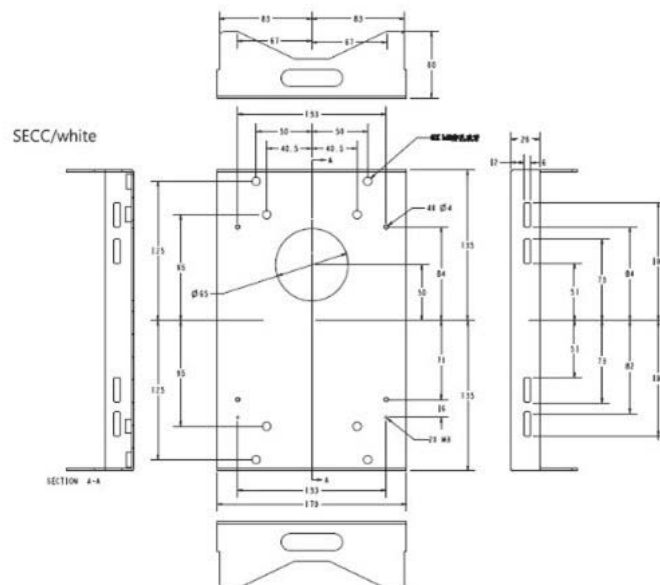
Order Code

Dimensions

Mx-M-SD-C



Mx-M-SD-P

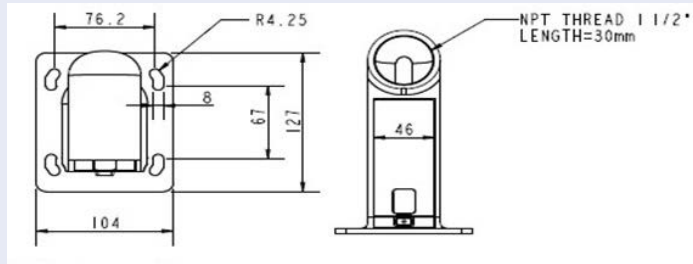




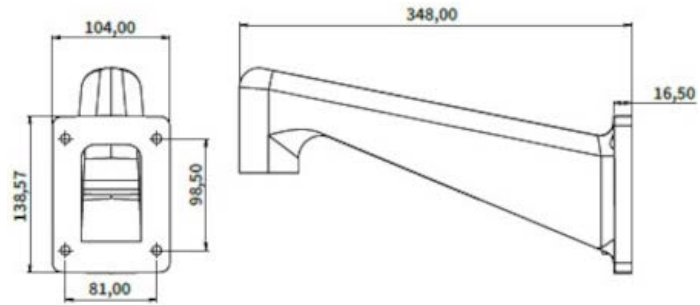
Order Code

Dimensions

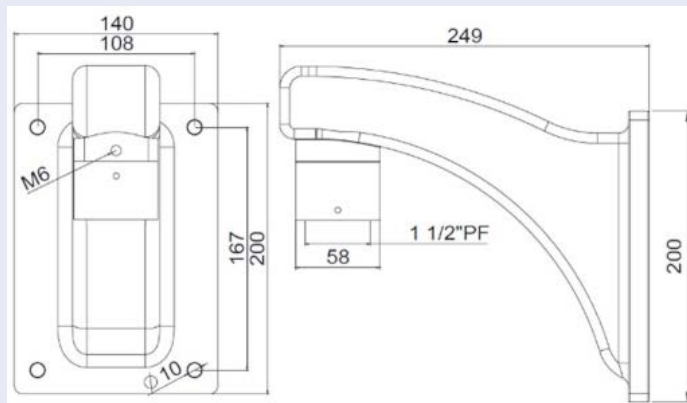
Mx-M-SD-W



Mx-M-SD-WL



MX-M-SD-WM



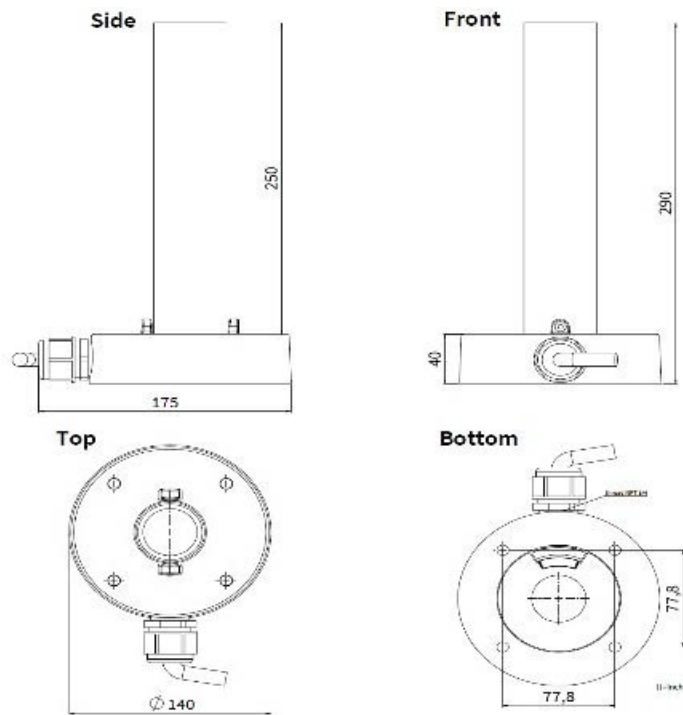
# Technical Specifications

## Accessories for Speed Dome Cameras

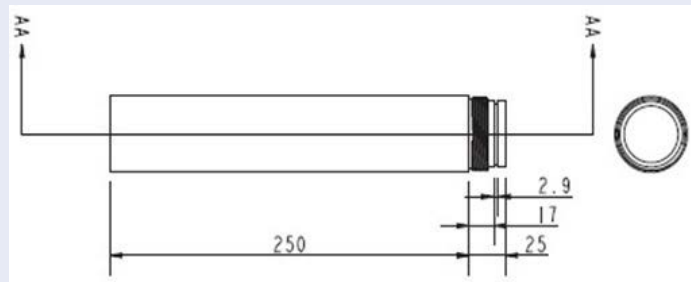
### Order Code

MX-M-SD-PM

### Dimensions



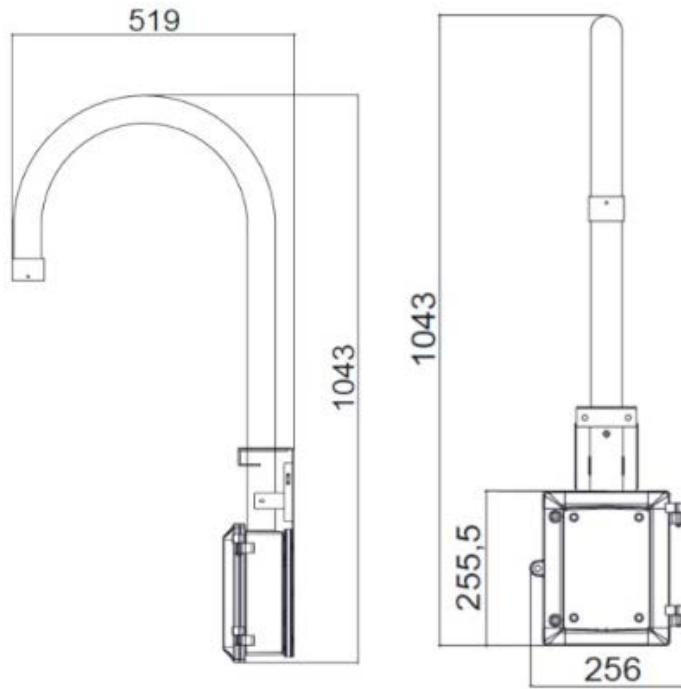
MX-M-SD-PMEXT



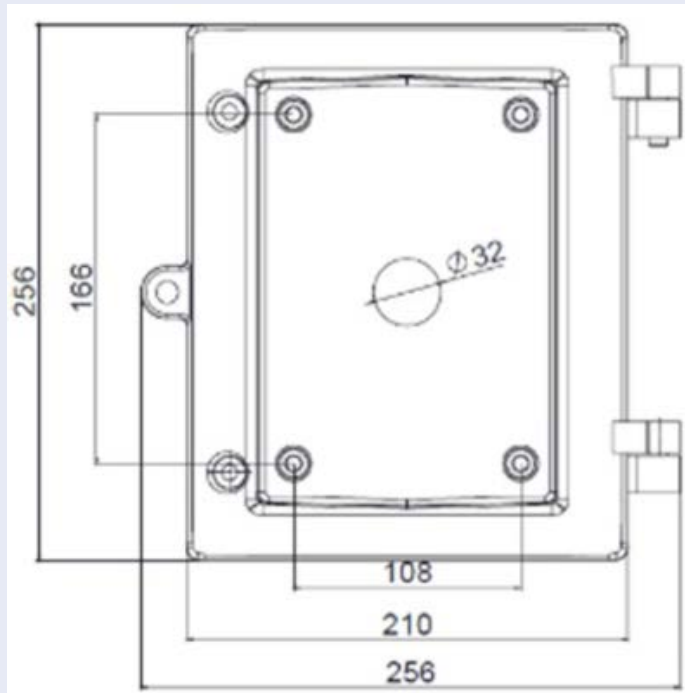
**Order Code**

MX-M-SD-GN

**Dimensions**



MX-M-SD-WMJB



## Accessories for Multisensor Cameras

Order Code/ Picture	Description	Compatible Products	Material/ Color	Weight
Mx-M-VM-AP 	Adapter mounting plate for MOVE Vandal Multisensor camera Mx-M-VM1A-20-IR-VA.	MOVE Vandal Multisensor camera Mx-M-VM1A-20-IR-VA.  Can be combined with MX-M-SD-GN, MX-M-SD-PM, MX-M-SD-PMEXT, Mx-M-SD-W, Mx-M-SD-WL, Mx-M-SD-WM.	Aluminum, RAL9003	1.95 kg
Mx-M-VM-IC 	Indoor in-ceiling mount for MOVE Vandal Multisensor camera Mx-M-VM1A-20-IR-VA.	MOVE Vandal Multisensor camera Mx-M-VM1A-20-IR-VA.	Aluminum, RAL9003	0.965 kg
Mx-A-VM-DBC 	Clear replacement dome for MOVE Vandal Multisensor camera Mx-VM1A-20-IR-VA.	MOVE Vandal Multisensor camera Mx-VM1A-20-IR-VA.	Polycarbonate, clear	0.53 kg

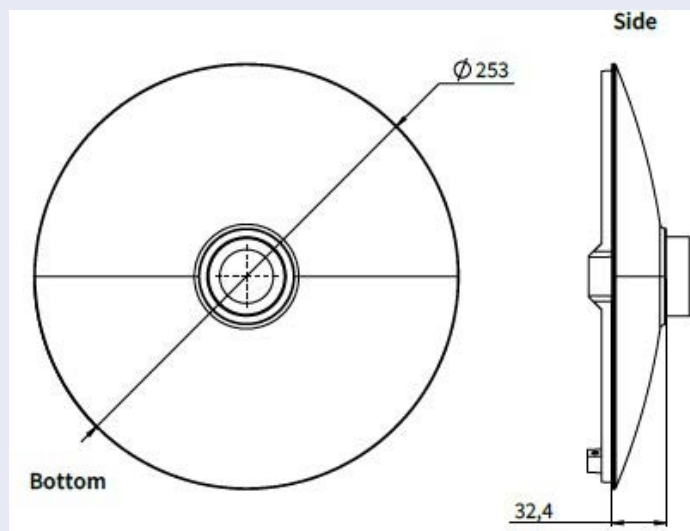
Order Code/ Picture	Description	Compatible Products	Material/ Color	Weight
Mx-A-VM-DBT 	Tinted replacement dome for MOVE Vandal Multisensor camera Mx-VM1A-20-IR-VA.	MOVE Vandal Multisensor camera Mx-VM1A-20-IR-VA.	Polycarbonate, tinted	0.53 kg
Mx-M-VMSD-AP 	Adapter mounting plate for MOVE Vandal Multisensor PTZ Combo camera Mx-M-VMSD-2021-VA.	MOVE Vandal Multisensor PTZ Combo camera Mx-M-VMSD-2021-VA.	Aluminum, RAL9003	1.57 kg
Mx-M-VMSD-IC 	Indoor in-ceiling mount for MOBOTIX MOVE Vandal Multisensor PTZ Combo camera Mx-M-VMSD-2021-VA.	MOVE Vandal Multisensor PTZ Combo camera Mx-M-VMSD-2021-VA.	Aluminum, RAL9003	3.5 kg

## Dimensions

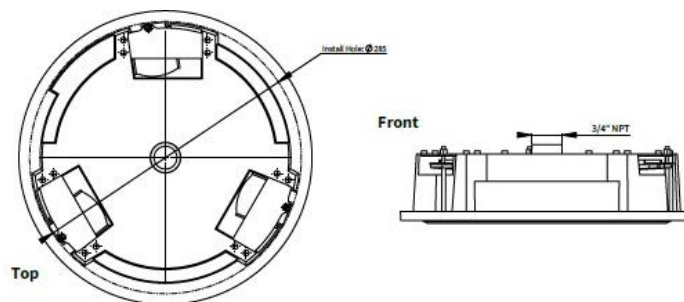
Order Code

Dimensions

Mx-M-VM-AP



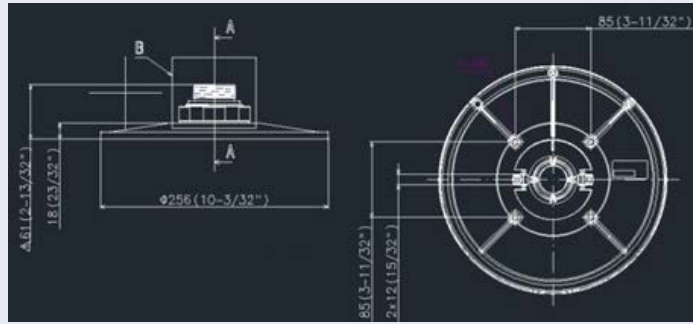
Mx-M-VM-IC



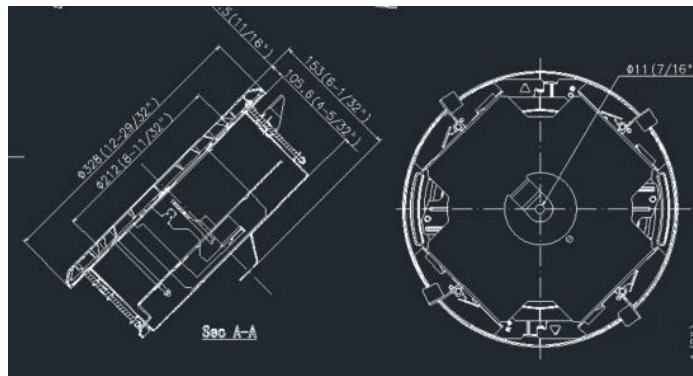
Order Code

Dimensions

Mx-M-VMSD-AP



Mx-M-VMSD-IC



## Accessories for Vandal Turret Cameras

Order Code/ Picture	Description	Compatible Products	Material/ Color	Weight
<p data-bbox="333 421 483 450">Mx-M-VT-AP</p> 	<p>Adapter mounting plate for MOVE Vandal Turret cameras.</p>	<p>MOVE Vandal Turret (VT) cameras.</p>	<p>Aluminum, RAL9003</p>	<p>0.3 kg</p>
<p data-bbox="333 786 483 815">Mx-M-VT-JB</p> 	<p>Junction box for MOVE Vandal Turret cameras.</p>	<p>MOVE Vandal Turret (VT) cameras.</p>	<p>Aluminum, RAL9003</p>	<p>0.85 kg</p>
<p data-bbox="333 1173 483 1202">Mx-M-VT-WM</p> 	<p>Wall mount for MOVE Vandal Turret cameras.</p>	<p>MOVE Vandal Turret (VT) cameras.</p>	<p>Aluminum, RAL9003</p>	<p>0.3 kg</p>

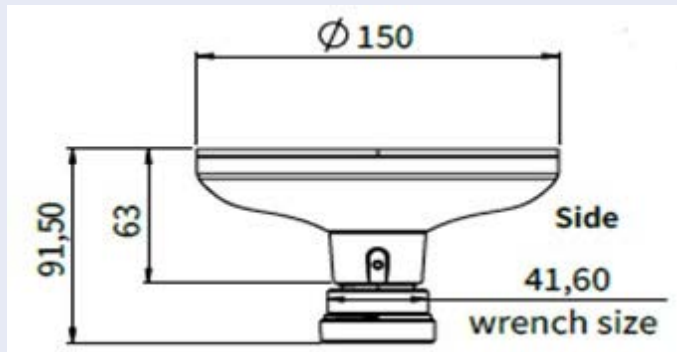


## Dimensions

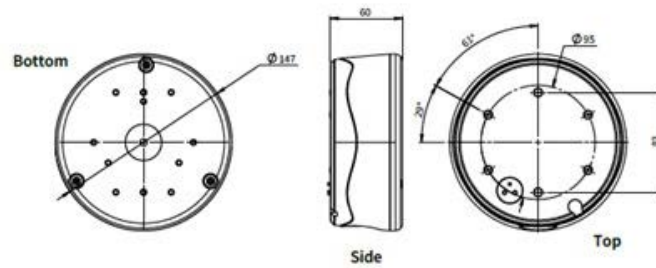
### Order Code

### Dimensions

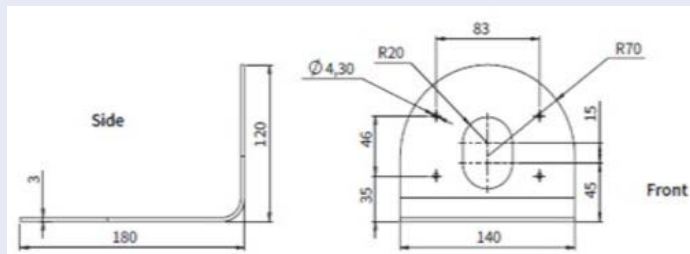
Mx-M-VT-AP



Mx-M-VT-JB



Mx-M-VT-WM



# Accessories for All Cameras

Order Code/ Picture	Description	Compatible Products	Material/ Color	Weight
MX-NPA-UPOE1A-60W 	<p>UPoE Power Injector 60W.</p> <p>PoE++ 60W Network Power injector • AC Input Voltage: 100 to 240 VAC (50 to 60Hz) • AC Input Current: 1.5A @100-240 VAC • Operating Ambient Temperature: • -10° to 40°C @60W • -10° to 50°C, humidity 10 to 90% @30W • IEEE 802.3bt compliant • Output power of 60W over 4-pairs • Supports 10/100/1000Base-T applications • Plug-and-play installation • Full Protection OVP, OCP• Supports 10/100/1000Base-T applications.</p>	All cameras.	Plastic housing, black	0.45 kg

## Technical Specifications

### Accessories for All Cameras

---

Order Code/ Picture	Description	Compatible Products	Material/ Color	Weight
Mx-NPA-PoE1A-60W-BT	<p>PoE++ Power Network Injector 60 Watt.</p> <p>AC Input Voltage: 100 to 240 VAC (50 to 60Hz) • AC Input Current: 1.5A @100-240 VAC • Operating Ambient Temperature: • -10° to 40°C @60W • -10° to 50°C, humidity 10 to 90% @30W • IEEE 802.3bt compliant • Output power of 60W over 4-pairs • Supports 10/100/1000Base-T applications • Plug-and-play installation • Full Protection OVP, OCP • Additional required power cord C14-type not included • Warranty: 1 year.</p>	All cameras.	Plastic housing, black	0.318 kg

---




Order Code/ Picture	Description	Compatible Products	Material/ Color	Weight
Mx-A-ETP1A-2601-SET	<p>Media converter set Ethernet(PoE+) – Twisted-Pair.</p> <p>Complete set consisting of two two-wire transmit/receive units for establishing an Ethernet transmission path via twisted-pair cables. • Transmission of Ethernet and PoE+ power supply via two-wire line according to IEEE1901. • Simple connection of 10/100 Mbps Ethernet end devices • Max. 95 Mbps transmission bandwidth, range up to 600 m/656 yd for data only, 300 m/328 yd for PoE depending on the quality of the twisted-pair link • 128 bit AES network data encryption • Power supply 2-wire transmitter (Tx) and receiver (Rx) as well as end device via PoE+ network switch or external power supply 56VDC / 1.2A (not included!) • Connected end devices are supplied via PoE switch IEEE802.3af(PoE), IEEE802.3at (PoE+), UPoE up to 60W</p>	All cameras. Requires Mx-A-ETP1A-2601-POW.	Plastic housing, black	0.368 kg



## Technical Specifications

### Accessories for All Cameras


Order Code/ Picture	Description	Compatible Products	Material/ Color	Weight
	(requires ext. power supply unit). • Status LEDs (data, power supply, data link, PoE) • Integrated Overvoltage protection (IEC 61000-4-5 4kV(1.2 / 50us), 2kA(8 / 20us)) • Power Supply: TX: T-Linx or DC12V~57V, RX: PoE Switch or DC48V~57V • Operational temperature: -20 to 60°C • Dimensions: 80.4(L) x 61.6(W) x 24(H)mm • Weight: RX/TX: 102g • Warranty: 2 years			
Mx-A-ETP1A-2601-POW 	Plug-type power supply for Mx-A-ETP1A-2601-SET.  Output: 57V DC +/-3% / 1.2 A • Input: 90-260V AC (47-63Hz) • 68,4 Watt • Operating Temperature: 0-40°C/32-122°F	Mx-A-ETP1A-2601-SET	Plastic housing, black	0.49 kg

Order Code/ Picture	Description	Compatible Products	Material/ Color	Weight
Mx-A-KBD1A-PTZ-JOG 	<p>MOBOTIX USB Keyboard with PTZ Joystick &amp; Jog Shuttle.</p> <p>USB control panel for operating MOBOTIX MxMC 2.6 and higher and MOBOTIX HUB incl. Control of software PTZ and motorized PTZ cameras and pan/tilt devices</p> <ul style="list-style-type: none"> <li>• Integrated 3-axis joystick</li> <li>• Integrated jog shuttle</li> <li>• 38 control keys with backlight pre-defined for MxMC functions or freely definable for MOBOTIX HUB</li> <li>• Integrated alarm buzzer</li> <li>• Suitable for operation as HID device on MOBOTIX VMS with Windows and MAC based operating systems via USB 2.0</li> <li>• Suitable for right- and left-handed users</li> <li>• Power supply: USB, max. 350 mA</li> <li>• Operating temperature: 0°–45°C/32–113 °F.</li> </ul>	<p>All cameras. Requires Windows or macOS computer with USB 2.0 or better.</p>	<p>Plastic housing, black</p>	<p>1.9 kg</p>

## Technical Specifications

### Accessories for All Cameras

---

Order Code/ Picture	Description	Compatible Products	Material/ Color	Weight
MX-SWITCH1 	<p>MOBOTIX network switch for DIN (top-hat) rail mounting.</p> <p>5x RJ45 port with 100 MBit/s (1x uplink, 4x PoE+ with max. 75 W). Supply: 48 V DC, max. 75 W. Simplified cabling for door stations due to available connectivity for anti-theft protection, door opener and MxBus. MxBus, anti-theft protection, door and lock contact can be connected via separate wires of Ethernet cable.</p>	All cameras.	Plastic housing, gray	0.31 kg

---



# MOBOTIX

BeyondHumanVision

EN\_08/24

MOBOTIX AG • Kaiserstrasse • D-67722 Langmeil • Tel.: +49 6302 9816-103 • sales@mobotix.com • www.mobotix.com

MOBOTIX is a trademark of MOBOTIX AG registered in the European Union, the U.S.A., and in other countries. Subject to change without notice. MOBOTIX do not assume any liability for technical or editorial errors or omissions contained herein. All rights reserved. © MOBOTIX AG 2019