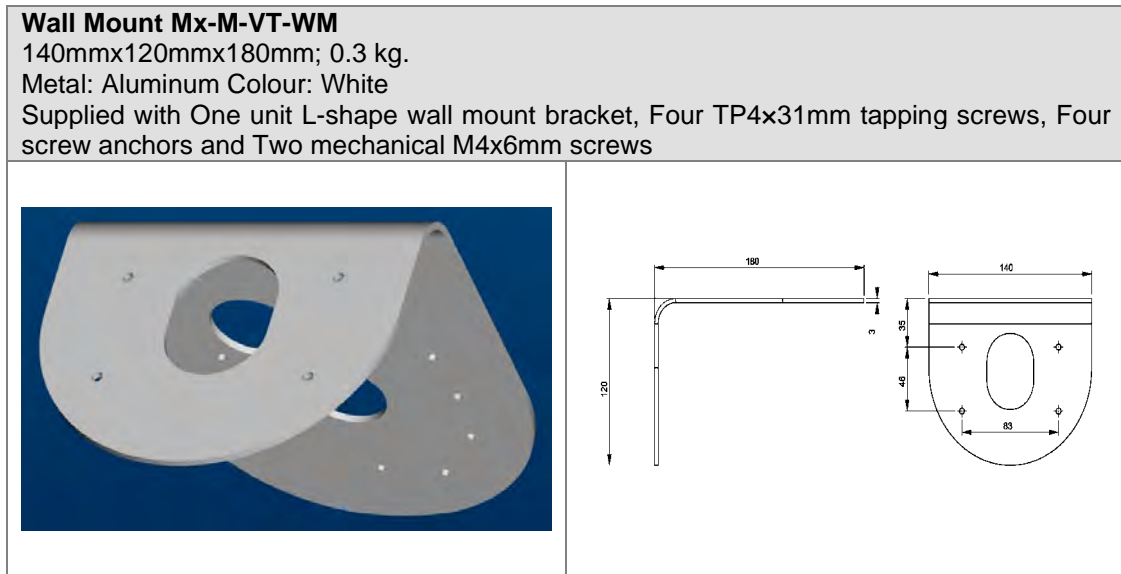


Wall Mount Installation

The MOBOTIX MOVE Vandal Turret can be mounted on the wall with the accessory: Mx-M-VT-WM.



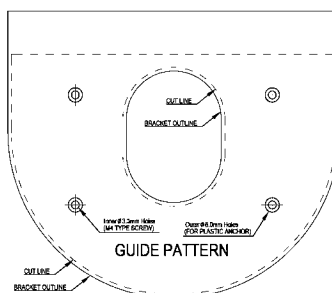
Tools / Installation Material required:

- A drill
- Screwdrivers
- Wire cutters

Follow the steps to fix the wall mount and assemble the Vandal Turret.

STEP 1

Attach the mounting template to the wall.

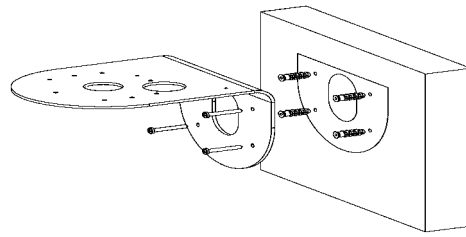


STEP 2

Drill four holes in the mounting surface 9mm (3/8") dia. & 40 mm (1-3/4") deep) and insert the Plastic Anchors into the holes.

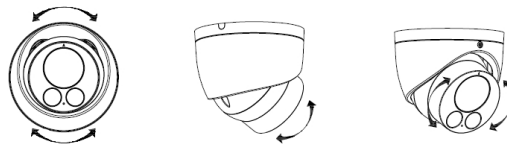
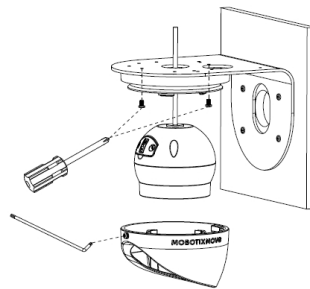
STEP 3

Attach the wall mount bracket to the wall using the TP4x31mm tapping screws.



STEP 4

Attach the dome base to the wall mount bracket using the 2 mechanical screws



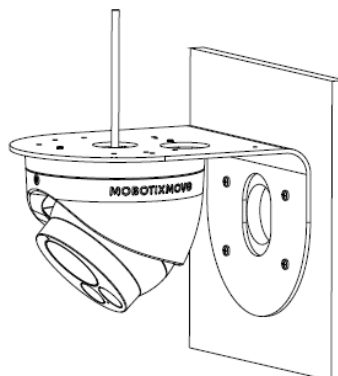
(M4x6mm).

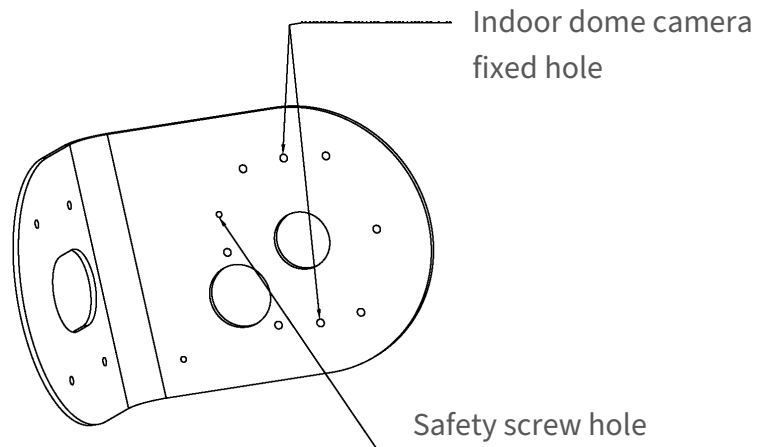
STEP 5

Attach the dome bubble to the indoor dome and lock the dome bubble as clockwise direction.

STEP 6

Complete the camera installation.





Important:

Ensure that all mounting screws are fixed firmly to prevent equipment to fall off and avoid injuries. We recommend checking the proper installation along annual maintenance intervals. In case of visible “damage”, please immediately replace component!