

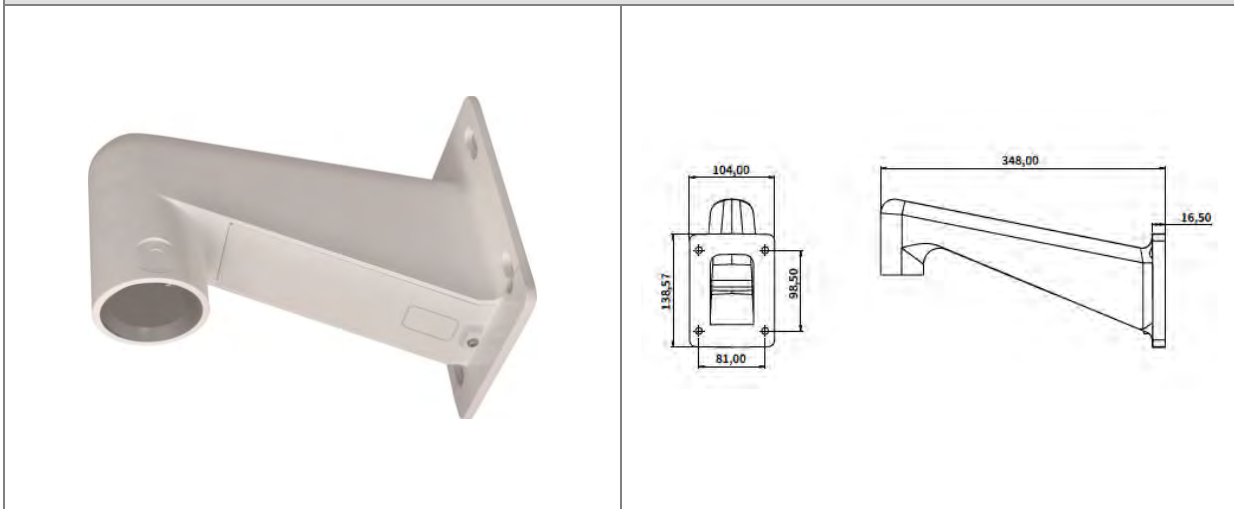
Wall Mount Installation

The MOBOTIX MOVE SpeedDome cameras can be mounted on the wall with the Mx-M-SD-WL Wall Mount Long.

Wall Mount Long MX-M-SD-WL

348.0 x 104.0 x 181.0 mm (7.3 x 4.1 x 5.0 inches); 0.6 kg (1.32 lbs).

Supplied with M3x8 Screw with Spring Washer-8 x 1, Anti-drop Chain x 1, Nylon Spacer, and Sponge x 1.



Items Needed:

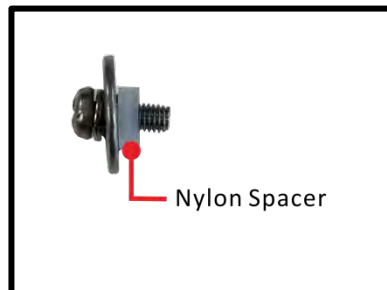
- Power Cable
- Ethernet Cable

Tools Needed:

- Drill
- Screwdrivers (Allen, flat)
- PTFE Thread Seal Tape

In advance:

1. Insert the nylon spacer to M3x8 screw with spring washer-8 as **Fig.1**. Fix the screw to the anti-drop chain as **Fig.2**.



(Fig.1)



(Fig.2)

2. Open the mounting plate (red frame in **Fig.3**) Screw the anti-drop chain to the Wall Mount and insert the chain through the Wall Mount as **Fig.4**. DO NOT fasten the mounting plate back to Wall Mount yet.



(Fig.3)



(Fig.4)

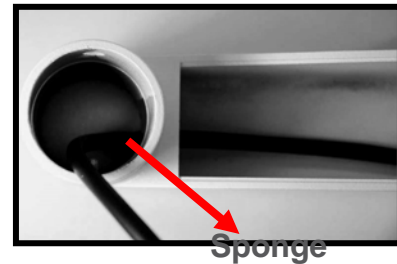
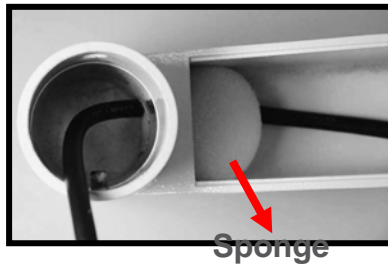
Follow the steps to mount the SpeedDome.

STEP 1

Make a cable entry hole on the wall to recess the cables. Run the Ethernet cable through the Wall mount. If there are other cables, such as power cable, alarm I/O cable or audio I/O cable, also insert them through the Wall mount.



NOTE: Please block the cable entry hole with the supplied sponge to avoid insects entering the Wall mount. The sponge can be placed in two ways as shown in the illustrations below.



STEP 2

Align the screw holes on the Wall mount with the drilled holes and fix the Wall mount to the wall with four screws.

STEP 3

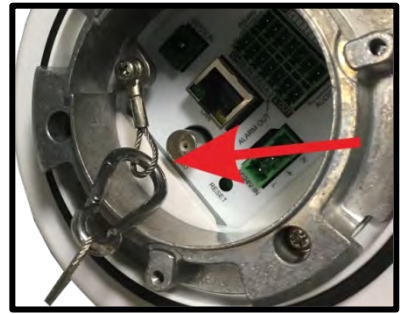
Coat the PTFE thread seal tape (not supplied) to the thread of mounting kit around five times for waterproof purpose as **Fig. 5**.

Then, thread the Ethernet cable and other cables through the mounting kit and fix the mounting kit to the Wall mount.



STEP 4

Hook up the anti-drop ring of the camera with the anti-drop chain.



STEP 5

Connect the Ethernet cable to the RJ-45 connector of the camera. For power, alarm I/O and audio I/O connections, please refer to [Users' Manual](#).



STEP 6

Slightly pull the anti-drop chain and other cables into the pendant tube. Then screw the mounting plate back to the Wall mount.

